

2015 LED LIGHTING CATALOG



See What's Possible

2015



LUX Technology Group, Inc.

2431 West Coast Hwy, Suite 202, Newport Beach, CA 92633

T: 949.396.1300 | F: 949.396.1303 | luxtg.com

INTRO	4
About LUX, Quick Guide, Our Commitment to Innovation	
FILAMENT SERIES	8
LUX's LED filaments are dimmable, UL Listed, and beautifully vintage.	
A SERIES	24
Omni A19, Omni High CRI, and A21	
BR SERIES	38
R20, BR30, BR40, BR30/40 High CRI	
PAR SERIES	50
Par16, Par20, Par30, Par30S Short Neck, Par38	
MR SERIES	72
MR16 - GU5.3 and GU10 Base, High CRI options	
DOWN LIGHTS	82
4-inch and 6-inch, with High CRI options	
PANELS	94
Panels in 1x2, 1x4, 2x2, 2x4, plus round panel in 4, 6, and 8-inch	
TUBES	104
T8 Omni in 2-foot and 4-foot, and ballast compatible T8 Tube	
HIGH-POWERED	110
Area lights, street lights, flood lights, and high bays	
CONTACT	128



LUX TECHNOLOGY GROUP, INC.

LUX Technology Group, Inc. launched in early 2014 and already boasts a product line of over 200 affordable LED lighting solutions, all with advanced technology using a fraction of the energy and up to 15 times the lifespan of non-LEDs.

LUX is the first to market with the only dimmable, UL Certified LED filament engineered with proprietary protection coating, without a cloudy look. With its beautiful all-glass design, it looks stunning and emits the same warm light as an incandescent bulb with all the benefits of an LED including long life and efficiency. LUX offers a full product portfolio of dimmable LED filaments available in both clear and vintage amber coatings, so the lighting possibilities are endless.

LUX maintains offices in Norway, Panama, China, with its headquarters in California, USA. It also has representatives in many other countries and throughout the United States, not to mention a team of PhD's, scientists, and engineers dedicated to research, development, and production. This gives LUX an experienced technological advantage, and with strategic partnerships, LUX has access to the entire supply chain from the diodes to the finished box, ensuring excellent quality at competitive pricing. Ranging from residential to commercial and municipal applications, LUX is ready to **See What's Possible.**

QUICK GUIDE

LED = LIGHT EMITTING DIODE

LEDs are not light bulbs, but a diode that emits light as it is heated. Uses very low power and long lasting.

WATTAGE = POWER CONSUMPTION

A watt is a measure of power consumption. It is not a function of the amount of light.

KELVIN = COLOR TEMPERATURE

Used to measure the intensity of the light. The higher the kelvin, the brighter the light appears even though the lumen output is the same.

LUMEN = BRIGHTNESS

The amount of light a bulb emits.

CRI = COLOR RENDERING INDEX

Quality and accuracy of light. Most LEDs range from 70-95 CRI.

CCT = CORRELATED COLOR TEMP

Relative color appearance. Appears more yellow/gold/orange or blue in terms of the various shades of "white." Measured in Kelvins.

ADVANTAGES OF LED

Less energy: 80% efficiency

Longer lasting: 100,000 vs 5,000 hours

Durable: Not affected by outside temp

Environmentally Friendly: No mercury used in production, reduces air & water pollution, and no IR or UV emissions

SYMBOLS USED IN THIS CATALOG

ACCREDITATIONS:

-  = UL Listed
-  = FCC Declaration of Conformity
-  = Lighting Facts
-  = Energy Star (ES)
-  = DesignLights Consortium
-  = EEA Conformity Marking
-  = RoHS Compliant

APPLICATIONS:

-  = Restaurant
-  = Government
-  = Hotel
-  = Auto Dealership
-  = Gallery
-  = General Lighting
-  = Retail
-  = Airport
-  = Commercial
-  = Residential
-  = Healthcare
-  = Roadway
-  = Education



OUR COMMITMENT TO INNOVATION

At LUX Technology Group, we aim to put your world in a better light, one bulb at a time. And that requires a commitment to excellence. That's why we have focused all of our efforts on making LED technology that is affordable to everyone, and makes no compromises on quality.

The years of research have paid off, because we have achieved what many thought impossible: LED lighting that can truly match or exceed the light quality of incandescent bulbs. We offer you the same warm, yet powerful glow of incandescent light—at a fraction of the energy use and fifteen times the lifespan.

And we've made it affordable. How is it so affordable, you ask? Keep reading.



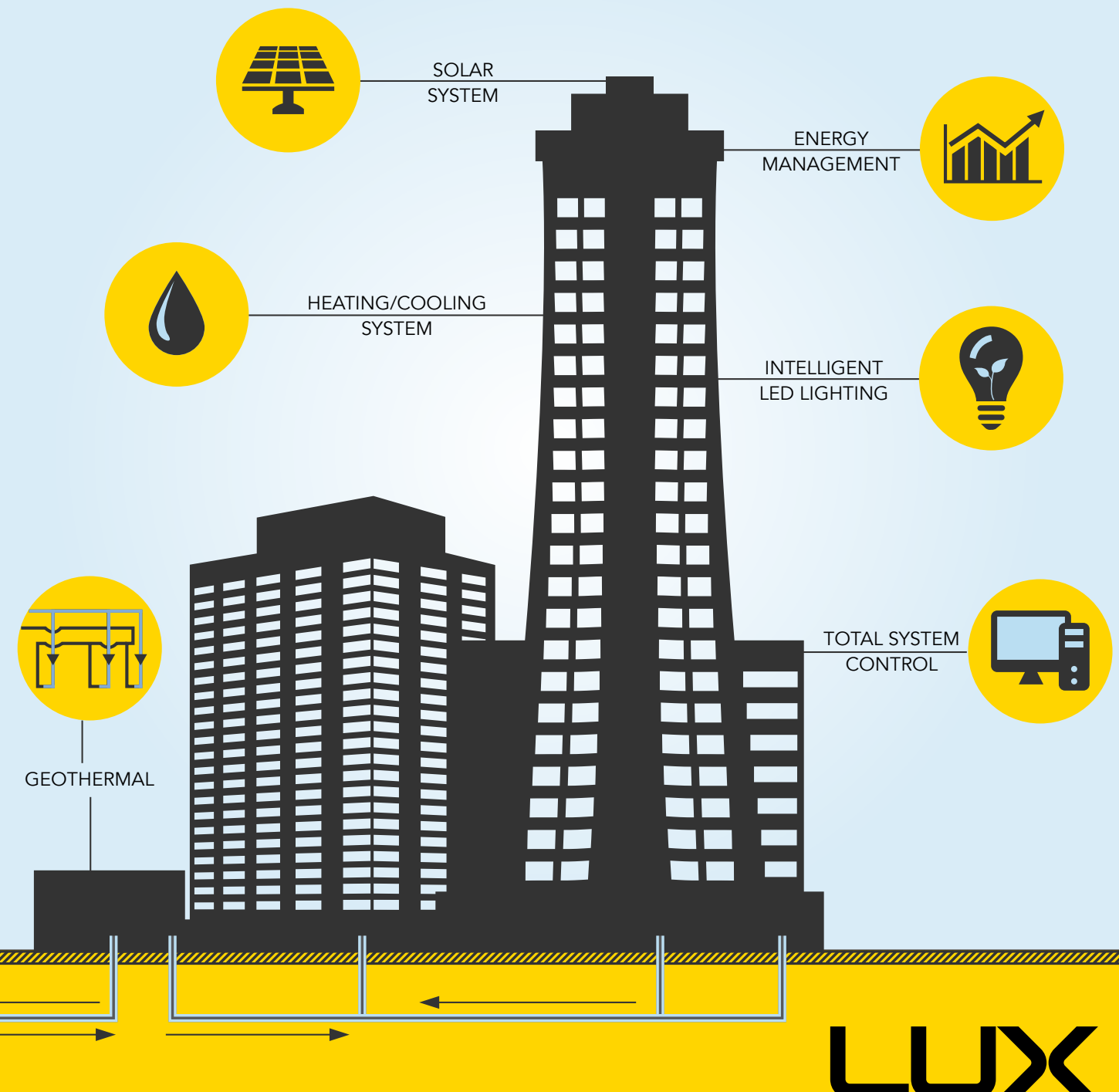
LED LIGHTING VERTICAL INTEGRATION

Through strategic partnerships, LUX has access to the entire supply chain from the diodes to the finished box that you purchase. This ensures not only excellent quality, but helps keep costs low, creating superior LED lighting at affordable prices.



A BRIGHTER, BETTER WORLD

Our goal is to create a total green energy management solution to save up to 70% energy consumption. Key aspects of a green community include the following solutions:



LUX IS ACCREDITED BY





- 1. AXIOM
A19
- 2. HOPE
G25 GLOBE
- 3. PRIME
ST19
- 4. TUSCANY
FLAME TIP CANDLE
- 5. MILAN
BLUNT TIP CANDLE
- 6. JORJA
T10



FILAMENTS

LUX is the first to market with the only dimmable, UL Certified LED filament engineered with proprietary protection coating, without a cloudy look. With its beautiful all-glass design, it looks stunning and emits the same warm light as an incandescent bulb with all the benefits of an LED including long life and efficiency. LUX filament LEDs offer 90 percent energy savings and excellent efficacy of over 135 lumens per watt, so you no longer have to sacrifice design for efficiency.

LUX offers a full product portfolio of dimmable LED filaments including A19, G25, ST19 Edison, T10, as well as 3 Candelabras, all available in clear and Vintage Amber coatings. Color temperature ranges from 1900K to 3000K, so the lighting possibilities are endless.



Restaurants



Hotels



Galleries



Retail



DIMMABLE LED A19 FILAMENT

AXIOM

LIGHTING FACTS (PER BULB)

Brightness 370-810lm

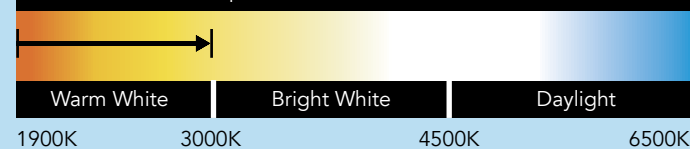
Estimated Yearly Energy Cost \$0.54 / \$0.78
Based on 3 hrs/day, 11¢ /kWh. Cost depends on rates and use.

Life 13.6 years
Based on 3 hrs/day

Energy Used 4.5W / 6.5W

Light Appearance

Light Color 1900-3000K
Correlated Color Temperature (CCT)

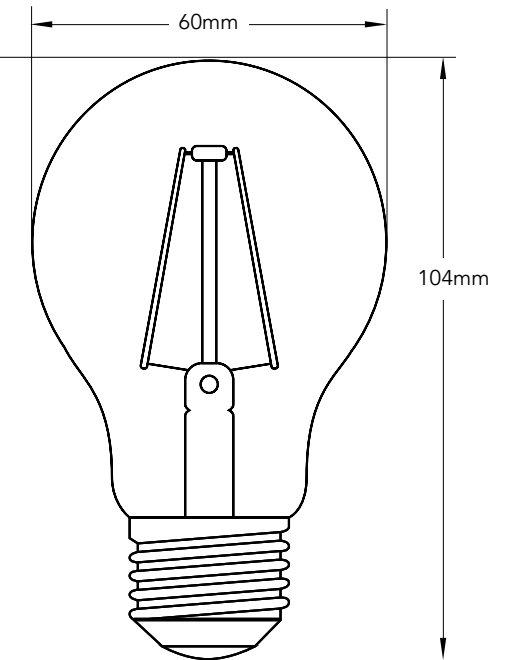


BENEFITS

- True direct replacement of Incandescent
- 360° all-directional, warm, soft light in traditional bulb shape
- Excellent efficacy of over 120lm/W
- 15 times greater lifetime than Incandescent
- Smooth dimming, no flicker
- Available in both clear and amber coatings

FEATURES

LED Power	4.5W Clear	6.5W Clear	4.5W Amber	6.5W Amber
Delivered Lumens	450lm	810lm	400lm	650lm
Equivalent Source	40W	60W	35W	50W
Color Rendering Index	80 CRI			
L70 lm Maintenance Lifetime	15,000 hours			
Base	E26			
Beam Angle	360°			
Operating Temperature	-20°C to +40°C			
Voltage	120V AC			
Power Factor	0.9			



SPECIFICATIONS

PRODUCT	MODEL	WATTAGE	BEAM ANGLE	LUMENS	CRI	CCT*	BASE	LIFETIME	DIM
4.5W A19 Clear	LFLA19QE26D05-24K	4.5W	360°	420lm	80	2400K	E26	15000h	Yes
	LFLA19QE26D05-27K	4.5W	360°	450lm	80	2700K	E26	15000h	Yes
	LFLA19QE26D05-30K	4.5W	360°	450lm	80	3000K	E26	15000h	Yes
6.5W A19 Clear	LFLA19QE26D07-24K	6.5W	360°	750lm	80	2400K	E26	15000h	Yes
	LFLA19QE26D07-27K	6.5W	360°	810lm	80	2700K	E26	15000h	Yes
	LFLA19QE26D07-30K	6.5W	360°	810lm	80	3000K	E26	15000h	Yes
4.5W A19 Amber	LFLA19QAE26D05-19K	4.5W	360°	370lm	80	1900K	E26	15000h	Yes
	LFLA19QAE26D05-24K	4.5W	360°	400lm	80	2400K	E26	15000h	Yes
6.5W A19 Amber	LFLA19QAE26D07-19K	6.5W	360°	600lm	80	1900K	E26	15000h	Yes
	LFLA19QAE26D07-24K	6.5W	360°	650lm	80	2400K	E26	15000h	Yes

* 2200K (clear and amber) available through special order





DIMMABLE LED G25 FILAMENT

HOPE

LIGHTING FACTS (PER BULB)

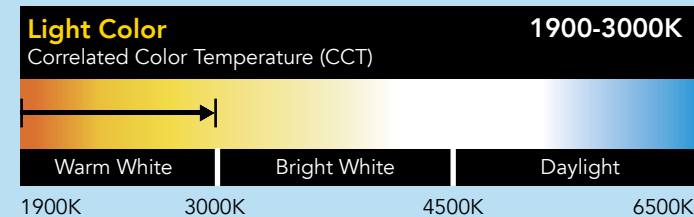
Brightness 370-810lm

Estimated Yearly Energy Cost \$0.54 / \$0.78
Based on 3 hrs/day, 11¢ /kWh.
Cost depends on rates and use.

Life 13.6 years
Based on 3 hrs/day

Energy Used 4.5W / 6.5W

Light Appearance

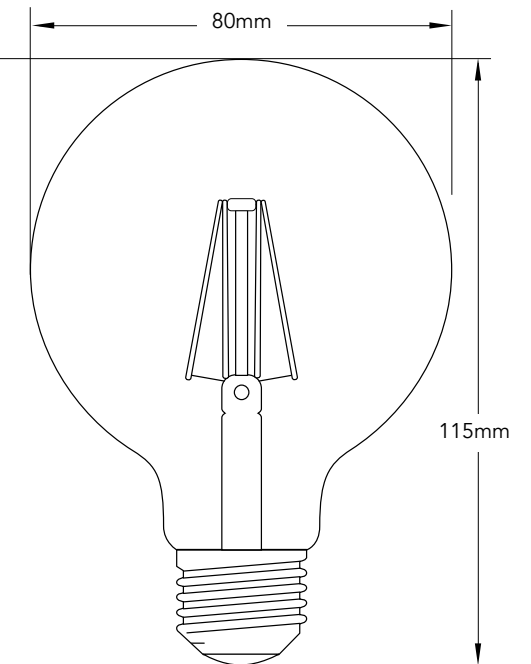


BENEFITS

- True direct replacement of Incandescent
- 360° all-directional, warm, soft light in traditional bulb shape
- Excellent efficacy of over 120lm/W
- 15 times greater lifetime than Incandescent
- Smooth dimming, no flicker
- Available in both clear and amber coatings

FEATURES

LED Power	4.5W Clear	6.5W Clear	4.5W Amber	6.5W Amber
Delivered Lumens	450lm	810lm	400lm	650lm
Equivalent Source	40W	60W	35W	50W
Color Rendering Index	80 CRI			
L70 lm Maintenance Lifetime	15,000 hours			
Base	E26			
Beam Angle	360°			
Operating Temperature	-20°C to +40°C			
Voltage	120V AC			
Power Factor	0.9			



SPECIFICATIONS

PRODUCT	MODEL	WATTAGE	BEAM ANGLE	LUMENS	CRI	CCT*	BASE	LIFETIME	DIM
4.5W Clear	LFLG25QCE26D05-27K	4.5W	360°	450lm	80	2700K	E26	15000h	Yes
	LFLG25QCE26D05-30K	4.5W	360°	450lm	80	3000K	E26	15000h	Yes
6.5W Clear	LFLG25QCE26D07-27K	6.5W	360°	810lm	80	2700K	E26	15000h	Yes
	LFLG25QCE26D07-30K	6.5W	360°	810lm	80	3000K	E26	15000h	Yes
4.5W Amber	LFLG25QAE26D05-19K	4.5W	360°	370lm	80	1900K	E26	15000h	Yes
	LFLG25QAE26D05-24K	4.5W	360°	400lm	80	2400K	E26	15000h	Yes
6.5W Amber	LFLG25QAE26D07-19K	6.5W	360°	600lm	80	1900K	E26	15000h	Yes
	LFLG25QAE26D07-24K	6.5W	360°	650lm	80	2400K	E26	15000h	Yes

*2200K (clear and amber) and 2400K (clear) available through special order





DIMMABLE LED ST19 FILAMENT

PRIME

LIGHTING FACTS (PER BULB)

Brightness 370-810lm

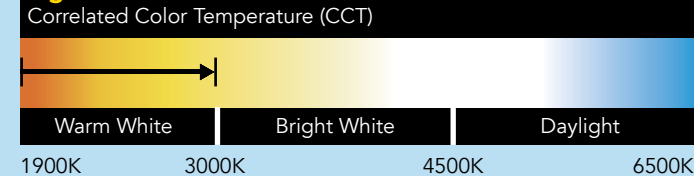
Estimated Yearly Energy Cost \$0.54 / \$0.78
Based on 3 hrs/day, 11¢ /kWh. Cost depends on rates and use.

Life 13.6 years
Based on 3 hrs/day

Energy Used 4.5W / 6.5W

Light Appearance

Light Color 1900-3000K
Correlated Color Temperature (CCT)

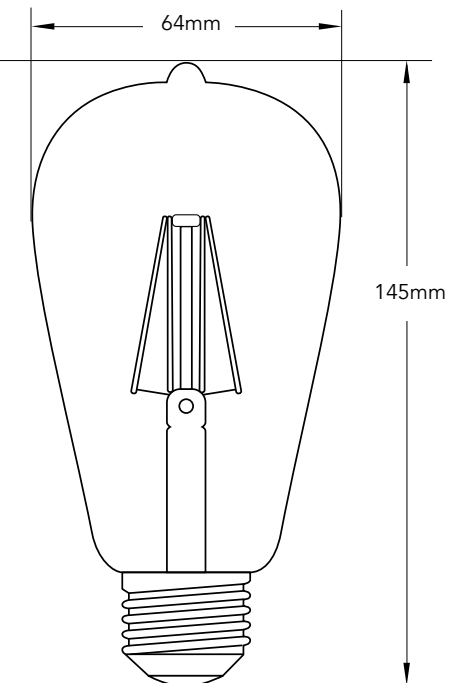


BENEFITS

- True direct replacement of Incandescent
- 360° all-directional, warm, soft light in traditional bulb shape
- Excellent efficacy of over 120lm/W
- 15 times greater lifetime than Incandescent
- Smooth dimming, no flicker
- Available in both clear and amber coatings

FEATURES

LED Power	4.5W Clear	6.5W Clear	4.5W Amber	6.5W Amber
Delivered Lumens	450lm	810lm	400lm	650lm
Equivalent Source	40W	60W	35W	50W
Color Rendering Index	80 CRI			
L70 lm Maintenance Lifetime	15,000 hours			
Base	E26			
Beam Angle	360°			
Operating Temperature	-20°C to +40°C			
Voltage	120V AC			
Power Factor	0.9			



SPECIFICATIONS

PRODUCT	MODEL	WATTAGE	BEAM ANGLE	LUMENS	CRI	CCT*	BASE	LIFETIME	DIM
4.5W Clear	LFLST19QCE26D05-24K	4.5W	360°	420lm	80	2400K	E26	15000h	Yes
	LFLST19QCE26D05-27K	4.5W	360°	450lm	80	2700K	E26	15000h	Yes
	LFLST19QCE26D05-30K	4.5W	360°	450lm	80	3000K	E26	15000h	Yes
6.5W Clear	LFLST19QCE26D07-24K	6.5W	360°	750lm	80	2400K	E26	15000h	Yes
	LFLST19QCE26D07-27K	6.5W	360°	810lm	80	2700K	E26	15000h	Yes
	LFLST19QCE26D07-30K	6.5W	360°	810lm	80	3000K	E26	15000h	Yes
4.5W Amber	LFLST19QAE26D05-19K	4.5W	360°	370lm	80	1900K	E26	15000h	Yes
	LFLST19QAE26D05-22K	4.5W	360°	400lm	80	2200K	E26	15000h	Yes
	LFLST19QAE26D05-24K	4.5W	360°	400lm	80	2400K	E26	15000h	Yes
6.5W Amber	LFLST19QAE26D07-19K	6.5W	360°	600lm	80	1900K	E26	15000h	Yes
	LFLST19QAE26D07-22K	6.5W	360°	650lm	80	2200K	E26	15000h	Yes
	LFLST19QAE26D07-24K	6.5W	360°	650lm	80	2400K	E26	15000h	Yes

*2200K available through special order



APPLICATIONS:



DIMMABLE LED FILAMENT FLAME TIP CANDLE

TUSCANY

LIGHTING FACTS (PER BULB)

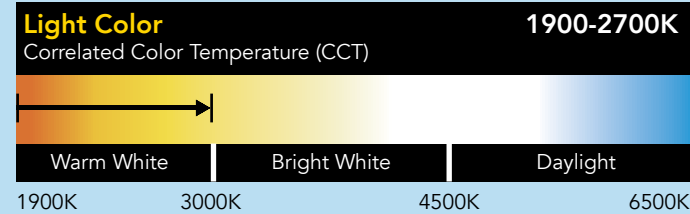
Brightness 370-450lm

Estimated Yearly Energy Cost \$0.48
Based on 3 hrs/day, 11¢ /kWh.
Cost depends on rates and use.

Life 13.6 years
Based on 3 hrs/day

Energy Used 4W

Light Appearance

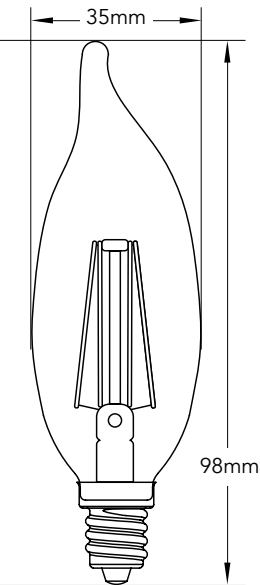


BENEFITS

- Filament based candelabra for true direct replacement of incandescent
- 360° all-directional warm soft light in traditional bulb shape
- Excellent efficacy of 100lm/W
- Instant on, no flicker
- 15 times greater lifetime than incandescent
- Dimmable with E26 base
- Vintage amber coating, 1900K, 2200K and 2400K color temperatures

FEATURES

LED Power	4W Clear	4W Amber
Delivered Lumens	420lm	400lm
Equivalent Source	40W	35W
Color Rendering Index	80 CRI	
L70 lm Maintenance Lifetime	15,000 hours	
Base	E12/E26	
Beam Angle	360°	
Operating Temperature	-20°C to +40°C	
Voltage	120V AC	
Power Factor	0.9	



SPECIFICATIONS

PRODUCT*	MODEL	WATTAGE**	BEAM ANGLE	LUMENS	CRI	CCT***	BASE	LIFETIME	DIM
Flame Tip Clear	LFLCSQE12N04-24K	4W	360°	420lm	80	2400K	E12	15000h	No
	LFLCSQE12N04-27K	4W	360°	450lm	80	2700K	E12	15000h	No
Flame Tip Clear Dimmable	LFLCSQE26D04-24K	4W	360°	420lm	80	2400K	E26	15000h	Yes
	LFLCSQE26D04-27K	4W	360°	450lm	80	2700K	E26	15000h	Yes
Flame Tip Amber	LFLCSQE12N04-19KA	4W	360°	370lm	80	1900K	E12	15000h	No
	LFLCSQE12N04-24KA	4W	360°	400lm	80	2400K	E12	15000h	No
Flame Tip Amber Dimmable	LFLCSQE26D04-19KA	4W	360°	370lm	80	1900K	E26	15000h	Yes
	LFLCSQE26D04-24KA	4W	360°	400lm	80	2400K	E26	15000h	Yes

*Extended Flame Tip available through special order
 **2W available through special order
 ***2200K (clear and amber) available through special order





DIMMABLE LED FILAMENT BLUNT TIP CANDLE

MILAN

LIGHTING FACTS (PER BULB)

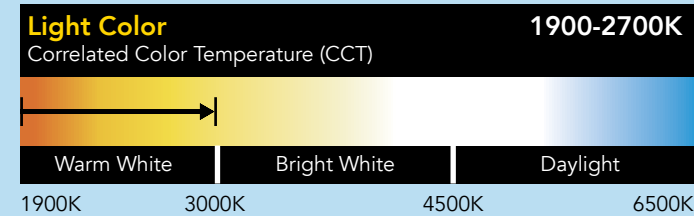
Brightness 370-450lm

Estimated Yearly Energy Cost \$0.48
Based on 3 hrs/day, 11¢ /kWh.
Cost depends on rates and use.

Life 13.6 years
Based on 3 hrs/day

Energy Used 4W

Light Appearance

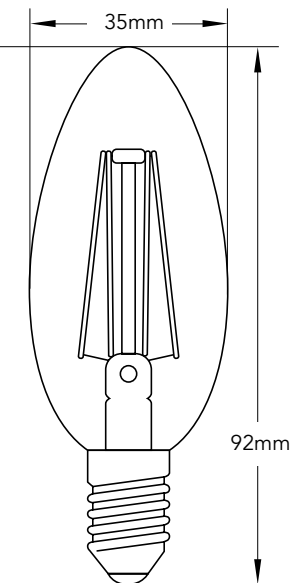


BENEFITS

- Filament based candelabra for true direct replacement of incandescent
- 360° all-directional warm soft light in traditional bulb shape
- Excellent efficacy of 100lm/W
- Instant on, no flicker
- 15 times greater lifetime than incandescent
- Dimmable with E26 base
- Vintage amber coating, 1900K, 2200K and 2400K color temperatures

FEATURES

LED Power	4W Clear	4W Amber
Delivered Lumens	420lm	400lm
Equivalent Source	40W	35W
Color Rendering Index	80 CRI	
L70 lm Maintenance Lifetime	15,000 hours	
Base	E12/E26	
Beam Angle	360°	
Operating Temperature	-20°C to +40°C	
Voltage	120V AC	
Power Factor	0.9	



SPECIFICATIONS

PRODUCT	MODEL	WATTAGE*	BEAM ANGLE	LUMENS	CRI	CCT**	BASE	LIFETIME	DIM
Blunt Tip Clear	LFLCBQE12N04-24K	4W	360°	420lm	80	2400K	E12	15000h	No
	LFLCBQE12N04-27K	4W	360°	450lm	80	2700K	E12	15000h	No
Blunt Tip Clear Dimmable	LFLCBQE26D04-24K	4W	360°	420lm	80	2400K	E26	15000h	Yes
	LFLCBQE26D04-27K	4W	360°	450lm	80	2700K	E26	15000h	Yes
Blunt Tip Amber	LFLCBQE12N04-19KA	4W	360°	370lm	80	1900K	E12	15000h	No
	LFLCBQE12N04-24KA	4W	360°	400lm	80	2400K	E12	15000h	No
Blunt Tip Amber Dimmable	LFLCBQE26D04-19KA	4W	360°	370lm	80	1900K	E26	15000h	Yes
	LFLCBQE26D04-24KA	4W	360°	400lm	80	2400K	E26	15000h	Yes

*2W available through special order
**2200K (in clear and amber) available through special order





DIMMABLE LED T10 FILAMENT

JORJA

LIGHTING FACTS (PER BULB)

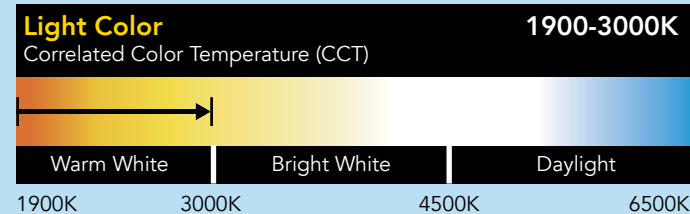
Brightness 370-450lm

Estimated Yearly Energy Cost \$0.48
Based on 3 hrs/day, 11¢ /kWh.
Cost depends on rates and use.

Life 13.6 years
Based on 3 hrs/day

Energy Used 4.5W

Light Appearance

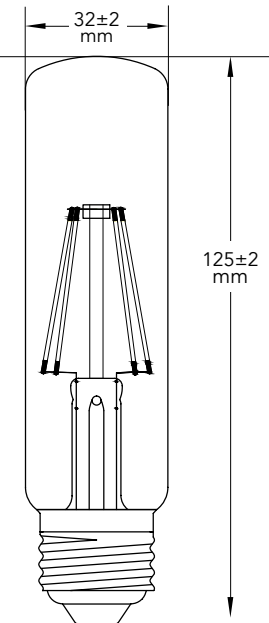


BENEFITS

- Filament based candelabra for true direct replacement of incandescent
- 360° all-directional warm soft light in traditional bulb shape
- Excellent efficacy of 100lm/W
- Instant on, no flicker
- 15 times greater lifetime than incandescent
- Dimmable with E26 base
- Vintage amber coating, 1900K, 2200K and 2400K color temperatures

FEATURES

LED Power	4.5W Clear	4.5W Amber
Delivered Lumens	450lm	400lm
Equivalent Source	40W	35W
Color Rendering Index	80 CRI	
L70 lm Maintenance Lifetime	15,000 hours	
Base	E26	
Beam Angle	360°	
Operating Temperature	-20°C to +40°C	
Voltage	120V AC	
Power Factor	0.9	



SPECIFICATIONS

PRODUCT	MODEL	WATTAGE	BEAM ANGLE	LUMENS	CRI	CCT*	BASE	LIFETIME	DIM
4.5W Clear	FLT10QCE26D05-27K	4.5W	360°	450lm	80	2700K	E26	15000h	Yes
	FLT10QCE26D05-30K	4.5W	360°	450lm	80	3000K	E26	15000h	Yes
4.5W Amber	FLT10QAE26D05-19K	4.5W	360°	370lm	80	1900K	E26	15000h	Yes
	FLT10QAE26D05-24K	4.5W	360°	400lm	80	2400K	E26	15000h	Yes

*2200K (clear and amber) and 2400K (clear) available through special order





RESTAURANT

APPLICATION



(A)
FILAMENTS



(B)
BRs



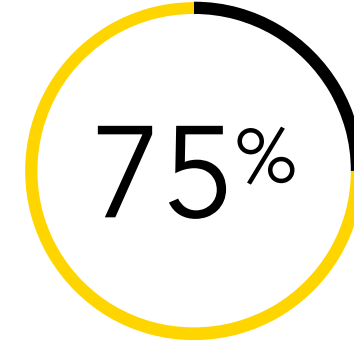
(C)
PARs



(D)
MRs

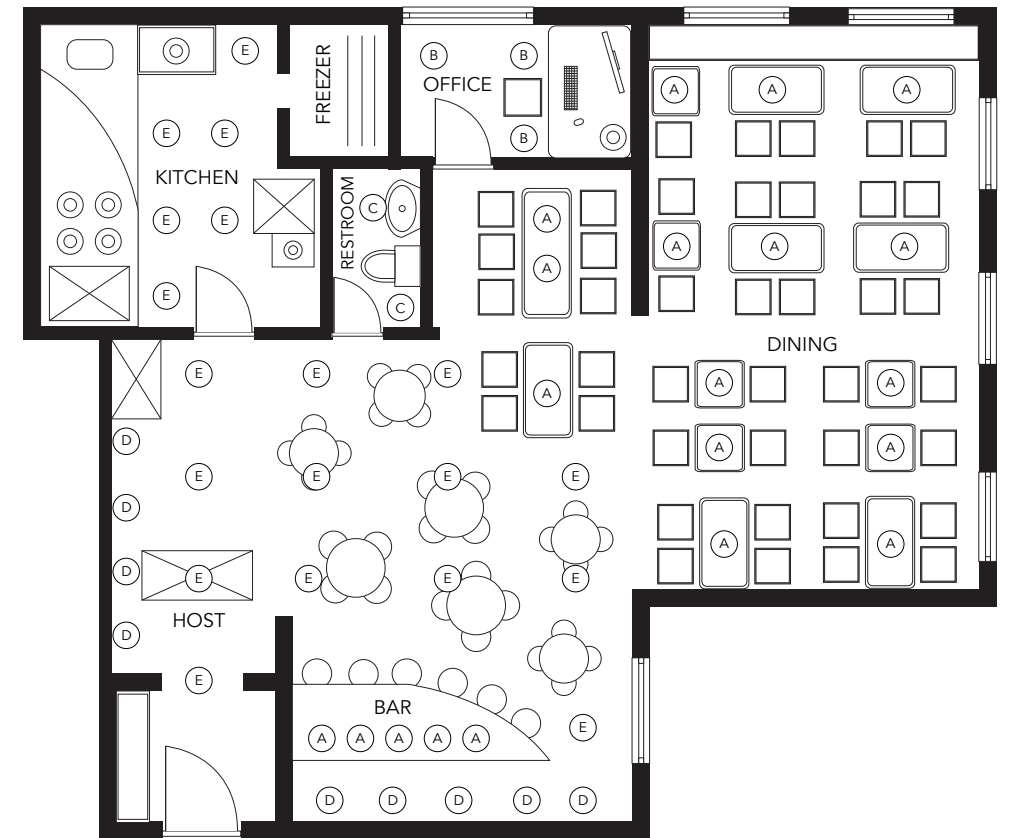


(E)
DOWN



Reduce energy consumption and heat output by 75% in your dining area by using LEDs.

In most restaurants, lights are on for 16-20 hours a day



"The craft of lighting a dining room is part theatre and part magic show. The way a food service operation is lit leaves a significant impression on diners. When it works, they don't consciously think about it. When it doesn't work, customers won't return and may not even understand why." - Brendan McNully in *Illuminating Ideas* (2004)



- 1. A19 OMNI
- 2. A19 OMNI
HIGH CRI
- 3. A21 OMNI
- 4. A19 OMNI
GU24 BASE
- 5. A21 OMNI
GU24 BASE



A SERIES

Traditional design meets LED technology with long life and efficiency.
 When someone says "light bulb," the traditional shape and look of an A19 is what probably comes to mind. Shaped similarly to a snow cone, A-series bulbs are what typically illuminate the home including living rooms, bedrooms, lamps, and more.

With traditional 75-100W incandescents phasing out, our A-series LEDs are the perfect solution to easily replace those energy-sucking incandescents. They look just the same, but offer huge energy savings and over 25,000 hours of light, so you don't have to choose between design and efficiency.



Residential



Corporate



General Lighting



DIMMABLE LED A19

OMNI

LIGHTING FACTS (PER BULB)

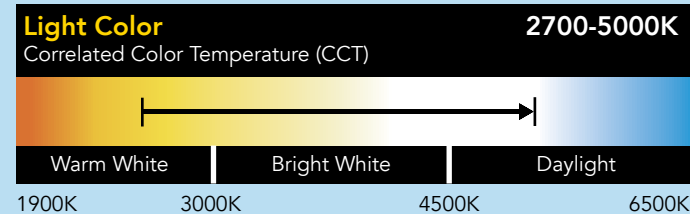
Brightness 450lm / 800lm / 1100lm

Estimated Yearly Energy Cost \$0.72 / \$1.08 / \$1.32
Based on 3 hrs/day, 11¢ /kWh. Cost depends on rates and use.

Life 22.8 years
Based on 3 hrs/day

Energy Used 6W / 9W / 11W

Light Appearance

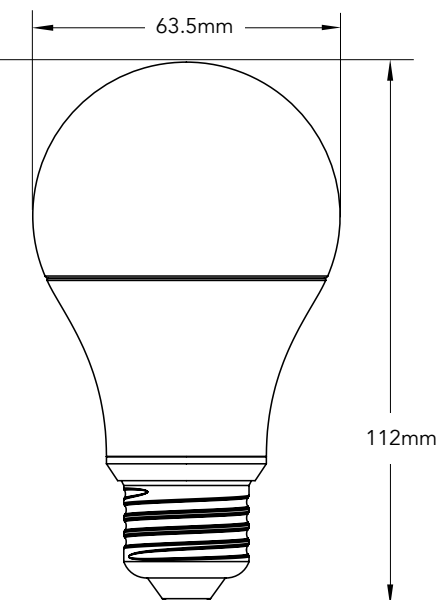


BENEFITS

- 300° Omni, true replacement of incandescent
- Instant on and smooth dimming
- Maintenance free with 25,000 hour lifetime
- Available in a wide range of color temperatures
- Energy Star qualified

FEATURES

LED Power	6W	9W	11W
Delivered Lumens	450lm	800lm	1100lm
Equivalent Source	40W	60W	75W
Color Rendering Index	80 CRI		
L70 lm Maintenance Lifetime	25,000 hours		
Base	E26		
Beam Angle	300°		
Operating Temperature	-20°C to +40°C		
Voltage	120V AC		
Power Factor	0.9		



SPECIFICATIONS

PRODUCT	MODEL	WATTAGE	BEAM ANGLE	LUMENS	CRI	CCT	BASE	LIFETIME	DIM	ES
6W A19	LA19TOE26D06-27K	6W	300°	450lm	80	2700K	E26	25000h	Yes	Yes
	LA19TOE26D06-30K	6W	300°	450lm	80	3000K	E26	25000h	Yes	Yes
	LA19TOE26D06-40K	6W	300°	500lm	80	4000K	E26	25000h	Yes	No
	LA19TOE26D06-50K	6W	300°	500lm	80	5000K	E26	25000h	Yes	No
9W A19	LA19TOE26D09-27K	9W	300°	800lm	80	2700K	E26	25000h	Yes	Yes
	LA19TOE26D09-30K	9W	300°	800lm	80	3000K	E26	25000h	Yes	Yes
	LA19TOE26D09-40K	9W	300°	850lm	80	4000K	E26	25000h	Yes	Yes
	LA19TOE26D09-50K	9W	300°	850lm	80	5000K	E26	25000h	Yes	Yes
11W A19	LA19TOE26D11-27K	11W	300°	1100lm	80	2700K	E26	25000h	Yes	Yes
	LA19TOE26D11-30K	11W	300°	1100lm	80	3000K	E26	25000h	Yes	Yes
	LA19TOE26D11-40K	11W	300°	1150lm	80	4000K	E26	25000h	Yes	Yes
	LA19TOE26D11-50K	11W	300°	1150lm	80	5000K	E26	25000h	Yes	No



CERTIFICATIONS:

APPLICATIONS:



DIMMABLE LED A19

OMNI HIGH CRI

LIGHTING FACTS (PER BULB)

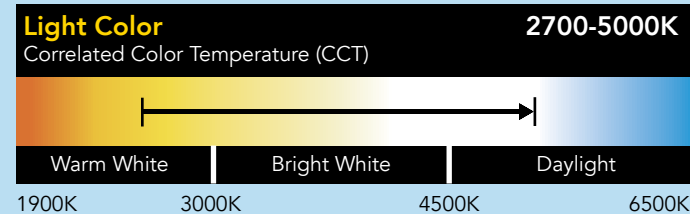
Brightness 800lm

Estimated Yearly Energy Cost \$1.15
Based on 3 hrs/day, 11¢ /kWh.
Cost depends on rates and use.

Life 22.8 years
Based on 3 hrs/day

Energy Used 9.5W

Light Appearance

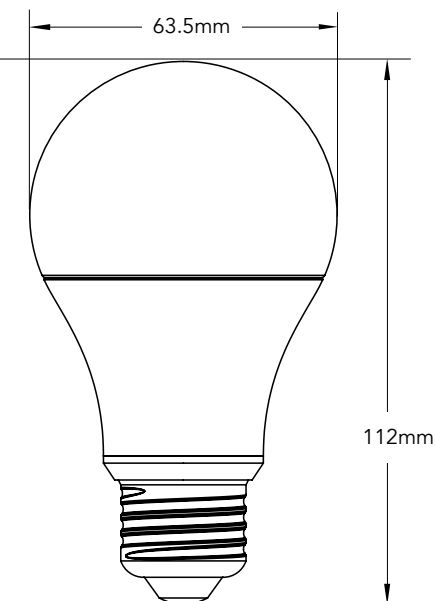


BENEFITS

- 300° Omni, true replacement of incandescent
- Instant on and smooth dimming
- Maintenance free with 25,000 hour lifetime
- Available in a wide range of color temperatures

FEATURES

LED Power	9.5W
Delivered Lumens	800lm
Equivalent Source	60W
Color Rendering Index	90 CRI
L70 lm Maintenance Lifetime	25,000 hours
Base	E26
Beam Angle	300°
Operating Temperature	-20°C to +40°C
Voltage	120V AC
Power Factor	0.9



SPECIFICATIONS

PRODUCT	MODEL	WATTAGE	BEAM ANGLE	LUMENS	CRI	CCT	BASE	LIFETIME	DIM	ES
A19 High CRI 9.5W	LA19TOE26D09-27KH	9.5W	300°	800lm	90	2700k	E26	25000h	Yes	Yes
	LA19TOE26D09-30KH	9.5W	300°	800lm	90	3000k	E26	25000h	Yes	Yes
	LA19TOE26D09-40KH	9.5W	300°	850lm	90	4000k	E26	25000h	Yes	No
	LA19TOE26D09-50KH	9.5W	300°	850lm	90	5000k	E26	25000h	Yes	No



CERTIFICATIONS:

APPLICATIONS:



DIMMABLE LED

A21

LIGHTING FACTS (PER BULB)

Brightness 1600lm

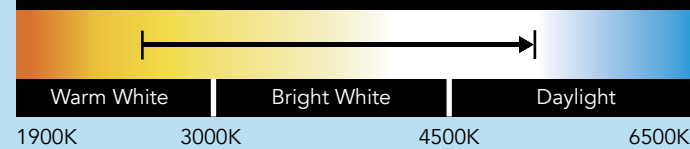
Estimated Yearly Energy Cost \$1.80
Based on 3 hrs/day, 11¢ /kWh.
Cost depends on rates and use.

Life 22.8 years
Based on 3 hrs/day

Energy Used 15W

Light Appearance

Light Color 2700-5000K
Correlated Color Temperature (CCT)

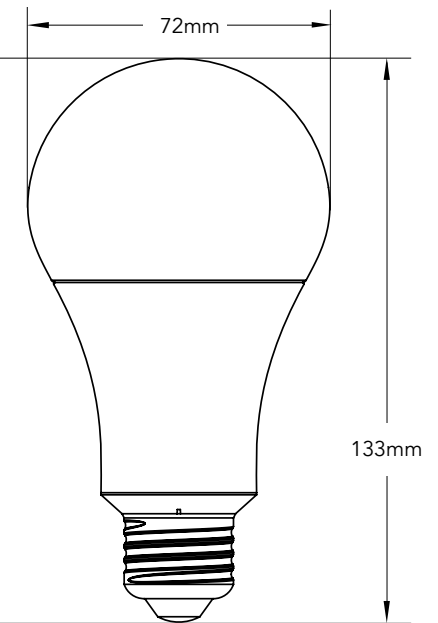


BENEFITS

- 300° Omni, true replacement of 100W incandescent
- Instant on and smooth dimming
- Maintenance free with 25,000 hour lifetime
- Available in a wide range of color temperatures
- Energy Star qualified

FEATURES

LED Power	15W
Delivered Lumens	1600-1650lm
Equivalent Source	100W
Color Rendering Index	80 CRI
L70 lm Maintenance Lifetime	25,000 hours
Base	E26
Beam Angle	300°
Operating Temperature	-20°C to +40°C
Voltage	120V AC
Power Factor	0.9



SPECIFICATIONS

PRODUCT	MODEL	WATTAGE	BEAM ANGLE	LUMENS	CRI	CCT	BASE	LIFETIME	DIM	ES
15W A21	LA21TOE26D15-27K	15W	300°	1600lm	80	2700K	E26	25000h	Yes	Yes
	LA21TOE26D15-30K	15W	300°	1600lm	80	3000K	E26	25000h	Yes	Yes
	LA21TOE26D15-40K	15W	300°	1650lm	80	4000K	E26	25000h	Yes	Yes
	LA21TOE26D15-50K	15W	300°	1650lm	80	5000K	E26	25000h	Yes	Yes





DIMMABLE LED

A19 GU24 BASE

LIGHTING FACTS (PER BULB)

Brightness 450lm / 800lm / 1100lm

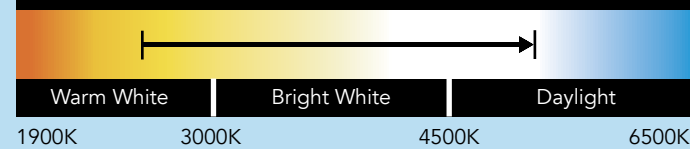
Estimated Yearly Energy Cost
Based on 3 hrs/day, 11¢ /kWh. Cost depends on rates and use. **\$0.72 / \$1.08 / \$1.32**

Life
Based on 3 hrs/day **22.8 years**

Energy Used 6W / 9W / 11W

Light Appearance

Light Color 2700-5000K
Correlated Color Temperature (CCT)

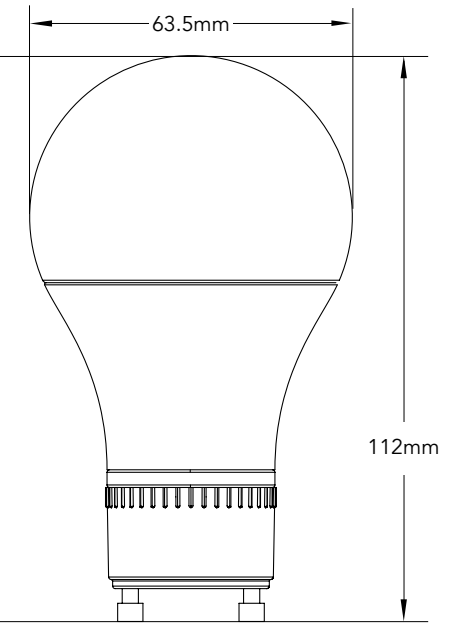


BENEFITS

- 300° Omni, true replacement of incandescent
- Instant on and smooth dimming
- Maintenance free with 25,000 hour lifetime
- Available in a wide range of color temperatures
- Energy Star qualified

FEATURES

LED Power	6W	9W	11W
Delivered Lumens	450lm	800lm	1100lm
Equivalent Source	40W	60W	75W
Color Rendering Index	80 CRI		
L70 lm Maintenance Lifetime	25,000 hours		
Base	GU24		
Beam Angle	300°		
Operating Temperature	-20°C to +40°C		
Voltage	120V AC		
Power Factor	0.9		



SPECIFICATIONS

PRODUCT	MODEL	WATTAGE	BEAM ANGLE	LUMENS	CRI	CCT	BASE	LIFETIME	DIM	ES
6W A19 GU24 Base	LA19TOGU24D06-27K	6W	300°	450lm	80	2700K	GU24	25000h	Yes	Yes
	LA19TOGU24D06-30K	6W	300°	450lm	80	3000K	GU24	25000h	Yes	Yes
	LA19TOGU24D06-40K	6W	300°	500lm	80	4000K	GU24	25000h	Yes	No
	LA19TOGU24D06-50K	6W	300°	500lm	80	5000K	GU24	25000h	Yes	No
9W A19 GU24 Base	LA19TOGU24D09-27K	9W	300°	800lm	80	2700K	GU24	25000h	Yes	Yes
	LA19TOGU24D09-30K	9W	300°	800lm	80	3000K	GU24	25000h	Yes	Yes
	LA19TOGU24D09-40K	9W	300°	850lm	80	4000K	GU24	25000h	Yes	Yes
	LA19TOGU24D09-50K	9W	300°	850lm	80	5000K	GU24	25000h	Yes	Yes
11W A19 GU24 Base	LA19TOGU24D11-27K	11W	300°	1100lm	80	2700K	GU24	25000h	Yes	Yes
	LA19TOGU24D11-30K	11W	300°	1100lm	80	3000K	GU24	25000h	Yes	Yes
	LA19TOGU24D11-40K	11W	300°	1150lm	80	4000K	GU24	25000h	Yes	Yes
	LA19TOGU24D11-50K	11W	300°	1150lm	80	5000K	GU24	25000h	Yes	No





DIMMABLE LED

A21

GU24 BASE

LIGHTING FACTS (PER BULB)

Brightness 1600lm

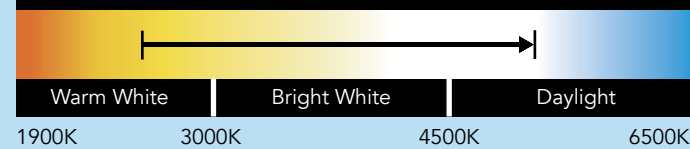
Estimated Yearly Energy Cost \$1.80
Based on 3 hrs/day, 11¢ /kWh.
Cost depends on rates and use.

Life 22.8 years
Based on 3 hrs/day

Energy Used 15W

Light Appearance

Light Color 2700-5000K
Correlated Color Temperature (CCT)

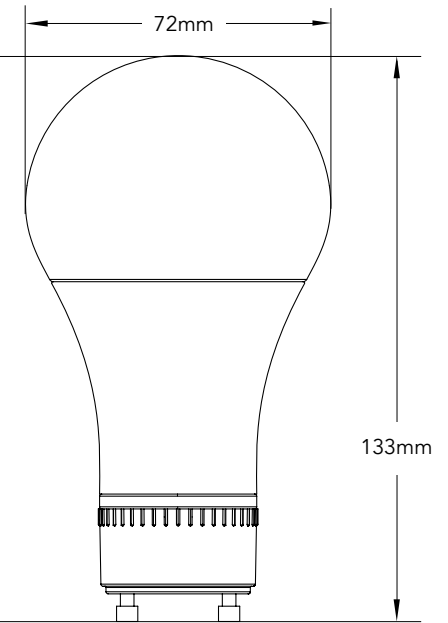


BENEFITS

- 300° Omni, true replacement of incandescent
- Instant on and smooth dimming
- Maintenance free with 25,000 hour lifetime
- Available in a wide range of color temperatures
- Energy Star qualified

FEATURES

LED Power	15W
Delivered Lumens	1600-1650lm
Equivalent Source	100W
Color Rendering Index	80 CRI
L70 lm Maintenance Lifetime	25,000 hours
Base	GU24
Beam Angle	300°
Operating Temperature	-20°C to +40°C
Voltage	120V AC
Power Factor	0.9



SPECIFICATIONS

PRODUCT	MODEL	WATTAGE	BEAM ANGLE	LUMENS	CRI	CCT	BASE	LIFETIME	DIM	ES
15W A21 GU24 Base	LA21TOGU24D15-27K	15W	300°	1600lm	80	2700K	GU24	25000h	Yes	Yes
	LA21TOGU24D15-30K	15W	300°	1600lm	80	3000K	GU24	25000h	Yes	Yes
	LA21TOGU24D15-40K	15W	300°	1600lm	80	4000K	GU24	25000h	Yes	Yes
	LA21TOGU24D15-50K	15W	300°	1600lm	80	5000K	GU24	25000h	Yes	Yes



RESIDENTIAL

APPLICATION

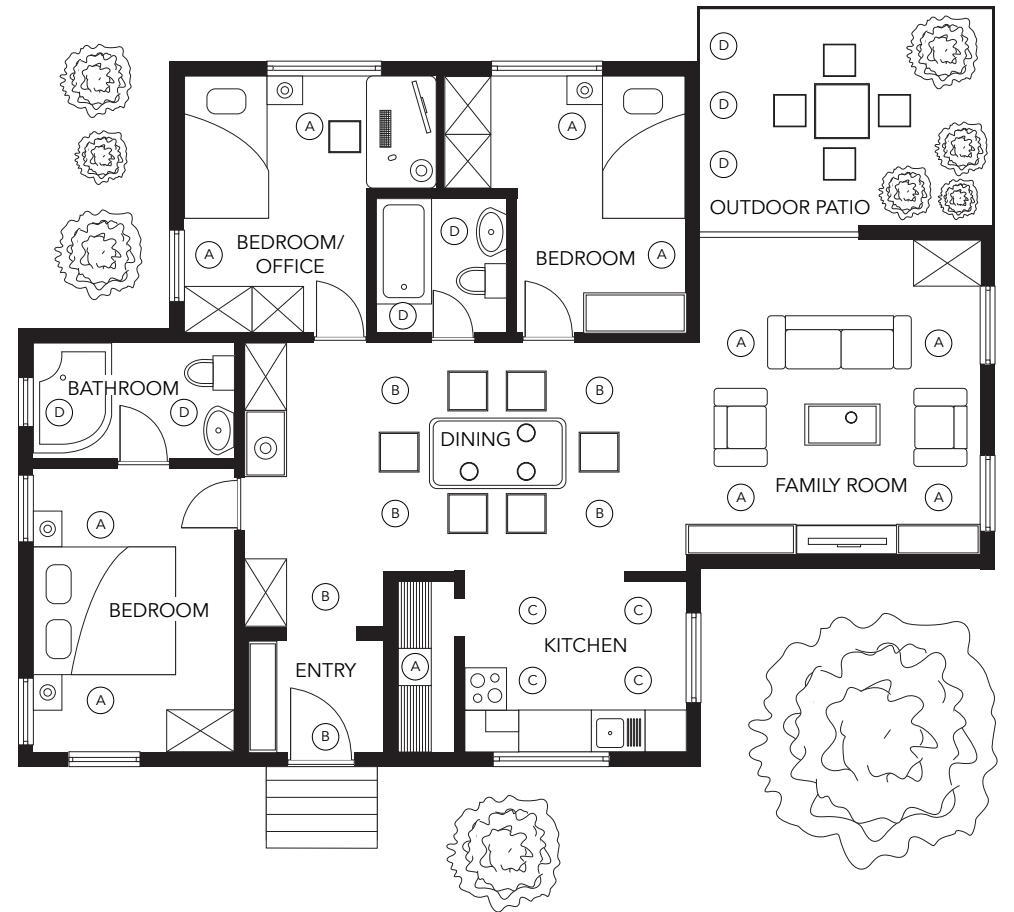


**SAVE
\$75+
per year**

Save over \$75 per year on your energy bill by switching to LEDs

LEDs use only 20%–25% of the energy and last up to 25 times longer than traditional incandescents

-  (A)
A SERIES
-  (B)
BRs
-  (C)
DOWN
-  (D)
PARs





- 1. BR20
- 2. BR30
- 3. BR40
- 4. BR30 (HIGH CRI)
- 5. BR40 (HIGH CRI)



BR SERIES

LUX's BR series offers a traditional shape and design with softly diffused light—perfect for your ceiling and other retrofit lighting needs. Not only do our LED BR lights operate at a fraction of the cost compared to traditional incandescents bulbs, they also have smooth dimming to 10%. And with a 25,000 hour lifetime, they are maintenance-free, and Energy Star qualified.

Plus, with high-CRI options, colors in food, fabrics, and more, have never looked so accurate and vibrant.



 Restaurants




 Hotels



 Residential



 General Lighting



DIMMABLE LED

R20

LIGHTING FACTS (PER BULB)

Brightness 550lm

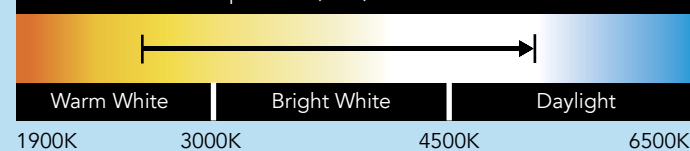
Estimated Yearly Energy Cost \$0.84
Based on 3 hrs/day, 11¢ /kWh.
Cost depends on rates and use.

Life 22.8 years
Based on 3 hrs/day

Energy Used 7W

Light Appearance

Light Color 2700-5000K
Correlated Color Temperature (CCT)

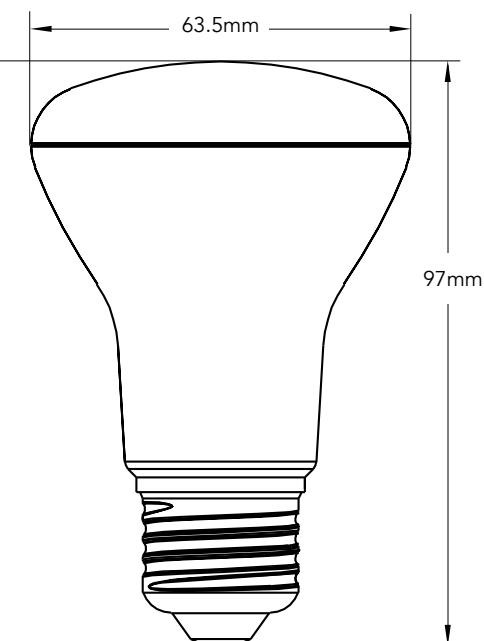


BENEFITS

- Traditional design
- Softly diffused light
- Smooth dimming
- Maintenance free with 25,000 hour lifetime
- Energy Star qualified

FEATURES

LED Power	7W
Delivered Lumens	550-600lm
Equivalent Source	50W
Color Rendering Index	80 CRI
L70 lm Maintenance Lifetime	25,000 hours
Base	E26
Beam Angle	110°
Operating Temperature	-20°C to +40°C
Voltage	120V AC
Power Factor	0.9



SPECIFICATIONS

PRODUCT	MODEL	WATTAGE	BEAM ANGLE	LUMENS	CRI	CCT	BASE	LIFETIME	DIM	ES
R20	LBR20TSE26D07-27K	7W	110°	550lm	80	2700K	E26	25000h	Yes	Yes
	LBR20TSE26D07-30K	7W	110°	550lm	80	3000K	E26	25000h	Yes	Yes
	LBR20TSE26D07-40K	7W	110°	600lm	80	4000K	E26	25000h	Yes	Yes
	LBR20TSE26D07-50K	7W	110°	600lm	80	5000K	E26	25000h	Yes	Yes



CERTIFICATIONS:

APPLICATIONS:



DIMMABLE LED

BR30

LIGHTING FACTS (PER BULB)

Brightness 600lm / 850lm

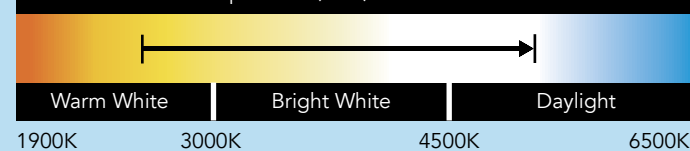
Estimated Yearly Energy Cost \$0.96 / \$1.32
Based on 3 hrs/day, 11¢ /kWh.
Cost depends on rates and use.

Life 22.8 years
Based on 3 hrs/day

Energy Used 8W / 11W

Light Appearance

Light Color 2700-5000K
Correlated Color Temperature (CCT)

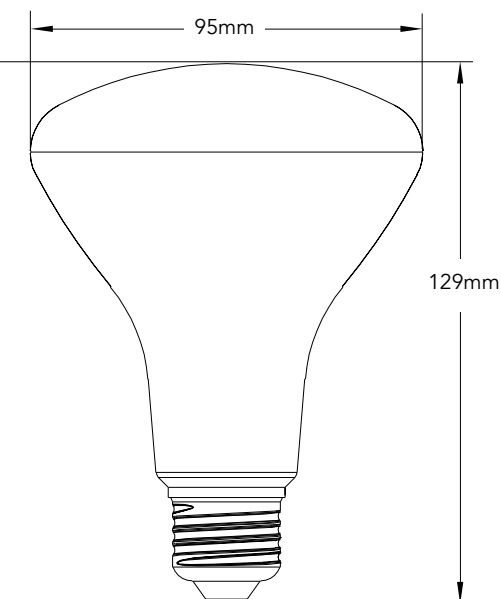


BENEFITS

- Traditional design
- Softly diffused light
- Smooth dimming
- Maintenance free with 25,000 hour lifetime
- Energy Star qualified
- Available in a wide range of lumen output and color temperature

FEATURES

LED Power	8W	11W
Delivered Lumens	600lm	850lm
Equivalent Source	65W	
Color Rendering Index	80 CRI	
L70 lm Maintenance Lifetime	25,000 hours	
Base	E26	
Beam Angle	110°	
Operating Temperature	-20°C to +40°C	
Voltage	120V AC	
Power Factor	0.9	



SPECIFICATIONS

PRODUCT	MODEL	WATTAGE	BEAM ANGLE	LUMENS	CRI	CCT	BASE	LIFETIME	DIM	ES
BR30 8W	LBR30TSE26D08-27K	8W	110°	600lm	80	2700K	E26	25000h	Yes	Yes
	LBR30TSE26D08-30K	8W	110°	600lm	80	3000K	E26	25000h	Yes	Yes
	LBR30TSE26D08-40K	8W	110°	650lm	80	4000K	E26	25000h	Yes	Yes
	LBR30TSE26D08-50K	8W	110°	650lm	80	5000K	E26	25000h	Yes	Yes
BR30 11W	LBR30TSE26D11-27K	11W	110°	850lm	80	2700K	E26	25000h	Yes	Yes
	LBR30TSE26D11-30K	11W	110°	850lm	80	3000K	E26	25000h	Yes	Yes
	LBR30TSE26D11-40K	11W	110°	900lm	80	4000K	E26	25000h	Yes	No
	LBR30TSE26D11-50K	11W	110°	900lm	80	5000K	E26	25000h	Yes	No



CERTIFICATIONS:

APPLICATIONS:



DIMMABLE LED

BR40

LIGHTING FACTS (PER BULB)

Brightness 1000lm / 1400lm

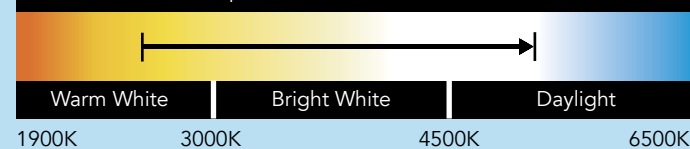
Estimated Yearly Energy Cost \$1.57 / \$2.05
Based on 3 hrs/day, 11¢ /kWh. Cost depends on rates and use.

Life 22.8 years
Based on 3 hrs/day

Energy Used 12W / 17W

Light Appearance

Light Color 2700-5000K
Correlated Color Temperature (CCT)

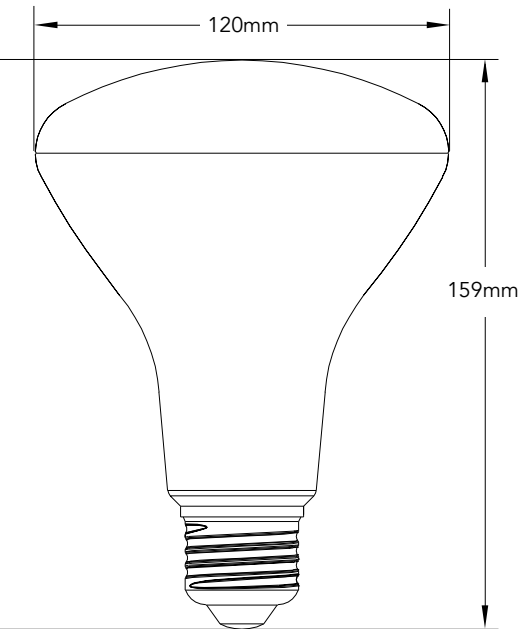


BENEFITS

- Traditional design
- Softly diffused light
- Smooth dimming
- Maintenance free with 25,000 hour lifetime
- Energy Star qualified
- High output of 1450 lumens

FEATURES

LED Power	12W	17W
Delivered Lumens	1000lm	1400lm
Equivalent Source	80W	100W
Color Rendering Index	80 CRI	
L70 lm Maintenance Lifetime	25,000 hours	
Base	E26	
Beam Angle	110°	
Operating Temperature	-20°C to +40°C	
Voltage	120V AC	
Power Factor	0.9	



SPECIFICATIONS

PRODUCT	MODEL	WATTAGE	BEAM ANGLE	LUMENS	CRI	CCT	BASE	LIFETIME	DIM	ES
BR40 12W	LBR40TSE26D12-27K	12W	110°	1000lm	80	2700K	E26	25000h	Yes	Yes
	LBR40TSE26D12-30K	12W	110°	1000lm	80	3000K	E26	25000h	Yes	Yes
	LBR40TSE26D12-40K	12W	110°	1050lm	80	4000K	E26	25000h	Yes	Yes
	LBR40TSE26D12-50K	12W	110°	1050lm	80	5000K	E26	25000h	Yes	Yes
BR40 17W	LBR40TSE26D17-27K	17W	110°	1400lm	80	2700K	E26	25000h	Yes	Yes
	LBR40TSE26D17-30K	17W	110°	1400lm	80	3000K	E26	25000h	Yes	Yes
	LBR40TSE26D17-40K	17W	110°	1450lm	80	4000K	E26	25000h	Yes	Yes
	LBR40TSE26D17-50K	17W	110°	1450lm	80	5000K	E26	25000h	Yes	Yes





DIMMABLE LED

BR30 HIGH CRI

LIGHTING FACTS (PER BULB)

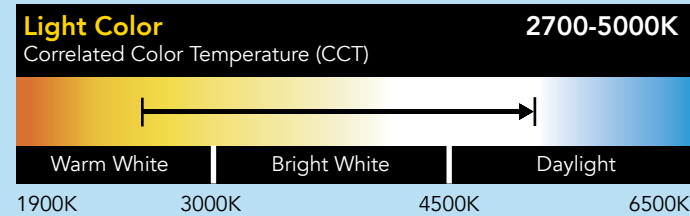
Brightness 800lm

Estimated Yearly Energy Cost \$1.45
Based on 3 hrs/day, 11¢ /kWh.
Cost depends on rates and use.

Life 22.8 years
Based on 3 hrs/day

Energy Used 12W

Light Appearance

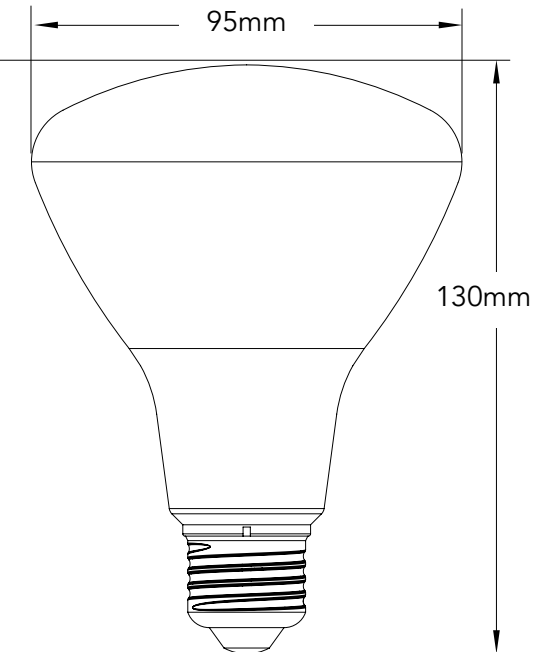


BENEFITS

- Traditional design
- Softly diffused light
- Smooth dimming
- Maintenance free with 25,000 hour lifetime
- Energy Star qualified
- High output of 850 lumens
- High color rendering index of 90

FEATURES

LED Power	12W
Delivered Lumen	800lm
Equivalent Source	65W
Color Rendering Index	90 CRI
L70 lm Maintenance Lifetime	25,000 hours
Base	E26
Beam Angle	110°
Operating Temperature	-20°C to +40°C
Voltage	120V AC
Power Factor	0.9



SPECIFICATIONS

PRODUCT	MODEL	WATTAGE	BEAM ANGLE	LUMENS	CRI	CCT	BASE	LIFETIME	DIM	ES
BR30 12W	LBR30TSE26D12-27KH	12W	110°	800lm	90	2700K	E26	25000h	Yes	Yes
	LBR30TSE26D12-30KH	12W	110°	800lm	90	3000K	E26	25000h	Yes	Yes
	LBR30TSE26D12-40KH	12W	110°	850lm	90	4000K	E26	25000h	Yes	No
	LBR30TSE26D12-50KH	12W	110°	850lm	90	5000K	E26	25000h	Yes	No





DIMMABLE LED

BR40 HIGH CRI

LIGHTING FACTS (PER BULB)

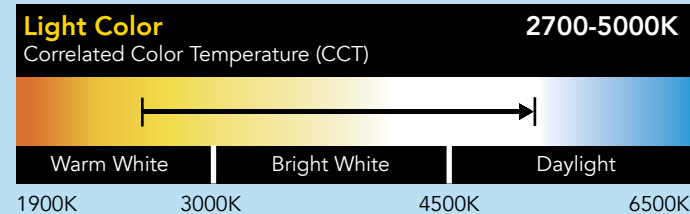
Brightness 1000lm

Estimated Yearly Energy Cost \$1.69
Based on 3 hrs/day, 11¢ /kWh.
Cost depends on rates and use.

Life 22.8 years
Based on 3 hrs/day

Energy Used 14W

Light Appearance

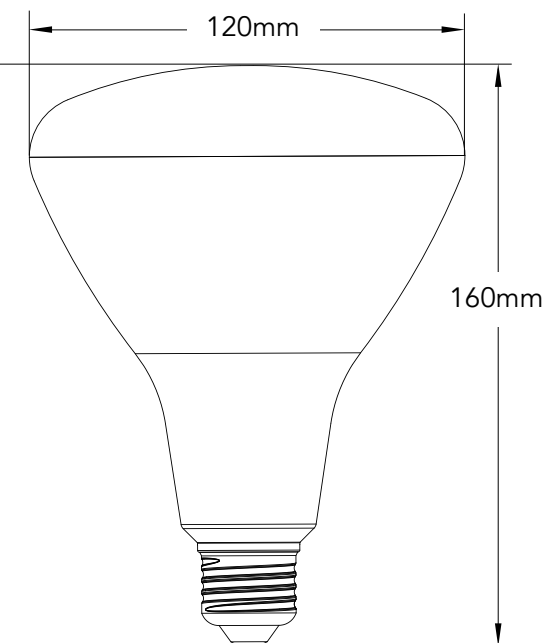


BENEFITS

- Traditional design
- Softly diffused light
- Smooth dimming
- Maintenance free with 25,000 hour lifetime
- Energy Star qualified
- High output of 1050 lumens
- High color rendering index of 90

FEATURES

LED Power	14W
Delivered Lumens	1000lm
Equivalent Source	75W
Color Rendering Index	90 CRI
L70 lm Maintenance Lifetime	25,000 hours
Base	E26
Beam Angle	110°
Operating Temperature	-20°C to +40°C
Voltage	120V AC
Power Factor	0.9



SPECIFICATIONS

PRODUCT	MODEL	WATTAGE	BEAM ANGLE	LUMENS	CRI	CCT	BASE	LIFETIME	DIM	ES
BR40 14W	LBR40TSE26D14-27KH	14W	110°	1000lm	90	2700K	E26	25000h	Yes	Yes
	LBR40TSE26D14-30KH	14W	110°	1000lm	90	3000K	E26	25000h	Yes	Yes
	LBR40TSE26D14-40KH	14W	110°	1050lm	90	4000K	E26	25000h	Yes	No
	LBR40TSE26D14-50KH	14W	110°	1050lm	90	5000K	E26	25000h	Yes	No



CERTIFICATIONS:

APPLICATIONS:



- 1. PAR16
- 2. LIDO
PAR20
- 3. BALBOA
PAR30
- 4. BAY
PAR30S SHORT NECK
- 5. NEWPORT
PAR38
- 6. ECO PAR20
- 7. ECO PAR30
- 8. ECOPAR38
- 9. ECO PAR38 ULTRA



PAR SERIES

The LUX Par Series combines excellent color rendering, multiple beam angles, a wide range of color temperatures, as well as suitability for damp and wet locations, making it extremely versatile.

Because all of our Pars have a high CRI of 90+, applications range from illuminating a storefront display to a surgeon's table. Colors in food and fabrics look vibrant and lush, and hospitals look bright and clean.



 Restaurants



 Corporate



 Healthcare



 Retail



DIMMABLE LED

PAR16

HIGH CRI

LIGHTING FACTS (PER BULB)

Brightness 380lm / 500lm

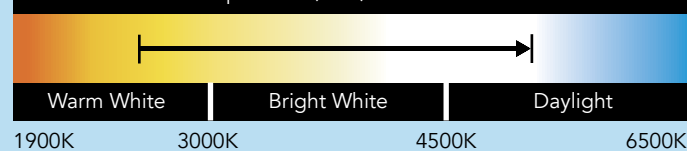
Estimated Yearly Energy Cost \$0.78
Based on 3 hrs/day, 11¢ /kWh.
Cost depends on rates and use.

Life 22.8 years
Based on 3 hrs/day

Energy Used 6.5W / 7W

Light Appearance

Light Color 2700-5000K
Correlated Color Temperature (CCT)

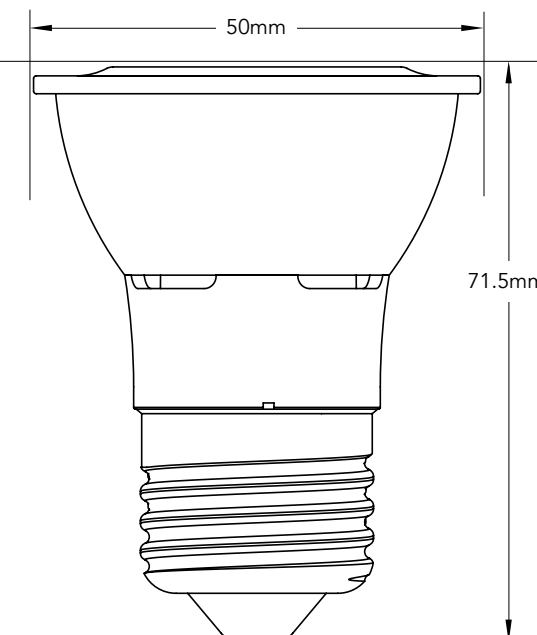


BENEFITS

- Excellent performance with high CRI of 90
- Multi beam angle of narrow flood and flood
- Smooth dimming
- Available in wide range of lumen output and color temperature
- Maintenance free with 25,000 hour lifetime
- Energy Star qualified
- Suitable for wet conditions

FEATURES

LED Power	6.5W	7W
Delivered Lumens	380lm	500lm
Equivalent Source	50W	60W
Color Rendering Index	90 CRI	80 CRI
L70 lm Maintenance Lifetime	25,000 hours	
Base	E26	
Beam Angle	24° / 38°	
Operating Temperature	-20°C to +40°C	
Voltage	120V AC	
Power Factor	>0.7	



SPECIFICATIONS

PRODUCT	MODEL	WATTAGE	BEAM ANGLE	LUMENS	CRI	CCT	BASE	LIFETIME	DIM	ES
PAR16 HIGH CRI	LP16JXE26D07-27KNH	6.5W	24°	380lm	90	2700K	E26	25000h	Yes	Yes
	LP16JXE26D07-30KNH	6.5W	24°	380lm	90	3000K	E26	25000h	Yes	Yes
	LP16JXE26D07-40KNH	6.5W	24°	380lm	90	4000K	E26	25000h	Yes	Yes
	LP16JXE26D07-50KNH	6.5W	24°	380lm	90	5000K	E26	25000h	Yes	Yes
	LP16JXE26D07-27KFH	6.5W	38°	380lm	90	2700K	E26	25000h	Yes	Yes
	LP16JXE26D07-30KFH	6.5W	38°	380lm	90	3000K	E26	25000h	Yes	Yes
	LP16JXE26D07-40KFH	6.5W	38°	380lm	90	4000K	E26	25000h	Yes	Yes
	LP16JXE26D07-50KFH	6.5W	38°	380lm	90	5000K	E26	25000h	Yes	Yes
PAR16 7W	LP16JXE26D07-27KN	7W	24°	500lm	80	2700K	E26	25000h	Yes	Yes
	LP16JXE26D07-30KN	7W	24°	500lm	80	3000K	E26	25000h	Yes	Yes
	LP16JXE26D07-40KN	7W	24°	500lm	80	4000K	E26	25000h	Yes	Yes
	LP16JXE26D07-50KN	7W	24°	500lm	80	5000K	E26	25000h	Yes	Yes
	LP16JXE26D07-27KF	7W	38°	500lm	80	2700K	E26	25000h	Yes	Yes
	LP16JXE26D07-30KF	7W	38°	500lm	80	3000K	E26	25000h	Yes	Yes
	LP16JXE26D07-40KF	7W	38°	500lm	80	4000K	E26	25000h	Yes	Yes
	LP16JXE26D07-50KF	7W	38°	500lm	80	5000K	E26	25000h	Yes	Yes



CERTIFICATIONS:

APPLICATIONS:



DIMMABLE PAR20 LED

LIDO

HIGH CRI

LIGHTING FACTS (PER BULB)

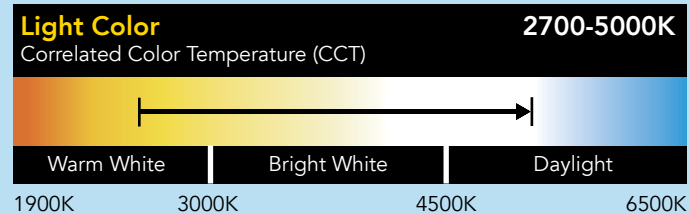
Brightness 460-530lm

Estimated Yearly Energy Cost \$0.84
Based on 3 hrs/day, 11¢ /kWh.
Cost depends on rates and use.

Life 22.8 years
Based on 3 hrs/day

Energy Used 7W

Light Appearance

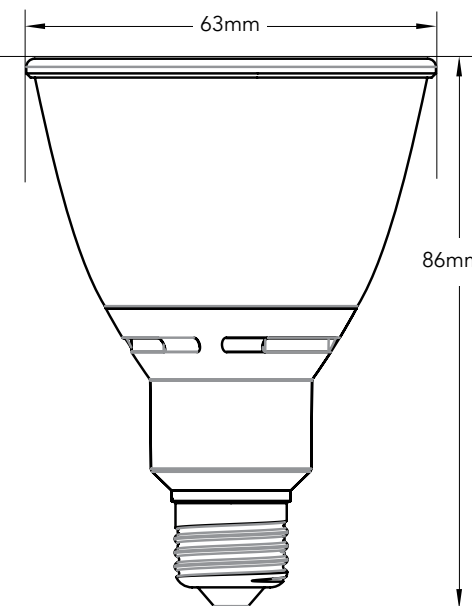


BENEFITS

- Excellent performance with high CRI of 90
- Multi beam angle of narrow flood and flood
- Smooth dimming
- Available in wide range of lumen output and color temperature
- Maintenance free with 25,000 hour lifetime
- Energy Star qualified
- Suitable for wet conditions

FEATURES

LED Power	7W
Delivered Lumens	460-530lm
Equivalent Source	Up to 50W Halogen
Color Rendering Index	90 CRI
L70 lm Maintenance Lifetime	25,000 hours
Base	E26
Beam Angle	25°/ 40°
Operating Temperature	-20°C to +40°C
Voltage	120V AC
Power Factor	0.9



SPECIFICATIONS

PRODUCT	MODEL	WATTAGE	BEAM ANGLE	LUMENS	CRI	CCT	BASE	LIFETIME	DIM	ES
PAR20	LP20JXE26D07-27KNH	7W	25°	460lm	90	2700K	E26	25000h	Yes	Yes
	LP20JXE26D07-30KNH	7W	25°	470lm	90	3000K	E26	25000h	Yes	Yes
	LP20JXE26D07-40KNH	7W	25°	500lm	90	4000K	E26	25000h	Yes	Yes
	LP20JXE26D07-50KNH	7W	25°	520lm	90	5000K	E26	25000h	Yes	Yes
	LP20JXE26D07-27KFH	7W	40°	460lm	90	2700K	E26	25000h	Yes	Yes
	LP20JXE26D07-30KFH	7W	40°	470lm	90	3000K	E26	25000h	Yes	Yes
	LP20JXE26D07-40KFH	7W	40°	500lm	90	4000K	E26	25000h	Yes	Yes
	LP20JXE26D07-50KFH	7W	40°	530lm	90	5000K	E26	25000h	Yes	Yes



CERTIFICATIONS:

APPLICATIONS:



DIMMABLE PAR30 LED

BALBOA

HIGH CRI

LIGHTING FACTS (PER BULB)

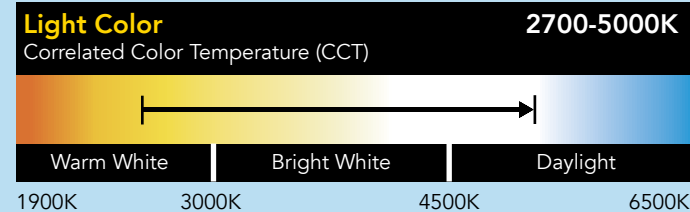
Brightness 750-850lm

Estimated Yearly Energy Cost \$1.20
Based on 3 hrs/day, 11¢ /kWh.
Cost depends on rates and use.

Life 22.8 years
Based on 3 hrs/day

Energy Used 10W

Light Appearance

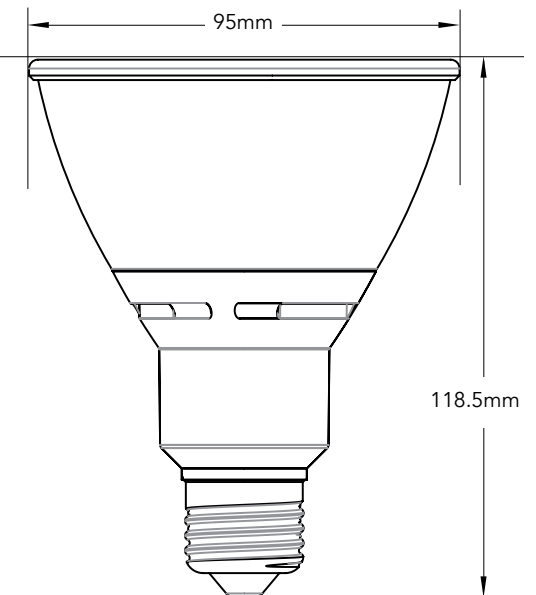


BENEFITS

- Excellent performance with high CRI of 90
- Multi beam angle of narrow flood and flood
- Smooth dimming to 10%
- Maintenance free with 25,000 hour lifetime
- Energy Star qualified
- Available in wide range of lumen output and color temperature
- Suitable for wet conditions

FEATURES

LED Power	10W
Delivered Lumens	750-850lm
Equivalent Source	Up to 75W Halogen
Color Rendering Index	90 CRI
L70 lm Maintenance Lifetime	25,000 hours
Base	E26
Beam Angle	25°/ 40°
Operating Temperature	-20°C to +40°C
Voltage	120V AC
Power Factor	0.9



SPECIFICATIONS

PRODUCT	MODEL	WATTAGE	BEAM ANGLE	LUMENS	CRI	CCT	BASE	LIFETIME	DIM	ES
PAR30	LP30JXE26D10-27KNH	10W	25°	750lm	90	2700K	E26	25000h	Yes	Yes
	LP30JXE26D10-30KNH	10W	25°	800lm	90	3000K	E26	25000h	Yes	Yes
	LP30JXE26D10-40KNH	10W	25°	820lm	90	4000K	E26	25000h	Yes	Yes
	LP30JXE26D10-50KNH	10W	25°	850lm	90	5000K	E26	25000h	Yes	Yes
	LP30JXE26D10-27KFH	10W	40°	750lm	90	2700K	E26	25000h	Yes	Yes
	LP30JXE26D10-30KFH	10W	40°	800lm	90	3000K	E26	25000h	Yes	Yes
	LP30JXE26D10-40KFH	10W	40°	820lm	90	4000K	E26	25000h	Yes	Yes
	LP30JXE26D10-50KFH	10W	40°	850lm	90	5000K	E26	25000h	Yes	Yes





DIMMABLE PAR30S SHORT NECK LED

BAY

HIGH CRI

LIGHTING FACTS (PER BULB)

Brightness 750-850lm

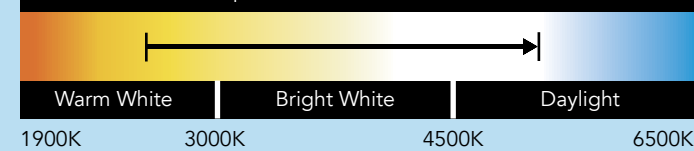
Estimated Yearly Energy Cost \$1.20
Based on 3 hrs/day, 11¢ /kWh.
Cost depends on rates and use.

Life 22.8 years
Based on 3 hrs/day

Energy Used 10W

Light Appearance

Light Color 2700-5000K
Correlated Color Temperature (CCT)

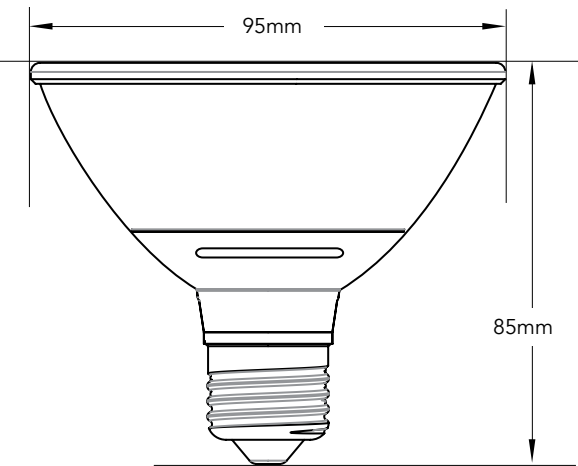


BENEFITS

- Excellent performance with high CRI of 90
- Multi beam angle of narrow flood and flood
- Smooth dimming to 10%
- Maintenance free with 25,000 hour lifetime
- Energy Star qualified
- Available in wide range of lumen output and color temperature
- Suitable for wet conditions

FEATURES

LED Power	10W
Delivered Lumens	750-850lm
Equivalent Source	Up to 75W Halogen
Color Rendering Index	90 CRI
L70 lm Maintenance Lifetime	25,000 hours
Base	E26
Beam Angle	25°/ 40°
Operating Temperature	-20°C to +40°C
Voltage	120V AC
Power Factor	0.9



SPECIFICATIONS

PRODUCT	MODEL	WATTAGE	BEAM ANGLE	LUMENS	CRI	CCT	BASE	LIFETIME	DIM	ES
PAR30S	LP30JSE26D10-27KNH	10W	25°	750lm	90	2700K	E26	25000h	Yes	Yes
	LP30JSE26D10-30NH	10W	25°	800lm	90	3000K	E26	25000h	Yes	Yes
	LP30JSE26D10-40KNH	10W	25°	820lm	90	4000K	E26	25000h	Yes	Yes
	LP30JSE26D10-50KNH	10W	25°	850lm	90	5000K	E26	25000h	Yes	Yes
	LP30JSE26D10-27KFH	10W	40°	750lm	90	2700K	E26	25000h	Yes	Yes
	LP30JSE26D10-30KFH	10W	40°	800lm	90	3000K	E26	25000h	Yes	Yes
	LP30JSE26D10-40KFH	10W	40°	820lm	90	4000K	E26	25000h	Yes	Yes
	LP30JSE26D10-50KFH	10W	40°	850lm	90	5000K	E26	25000h	Yes	Yes





DIMMABLE PAR38 LED

NEWPORT

HIGH CRI

LIGHTING FACTS (PER BULB)

Brightness 1150-1250lm

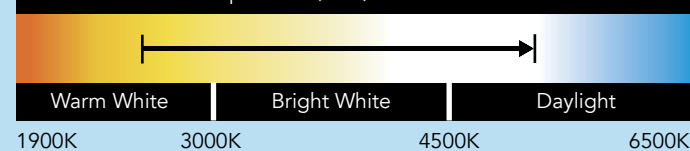
Estimated Yearly Energy Cost \$2.05
Based on 3 hrs/day, 11¢ /kWh.
Cost depends on rates and use.

Life 22.8 years
Based on 3 hrs/day

Energy Used 17W

Light Appearance

Light Color 2700-5000K
Correlated Color Temperature (CCT)

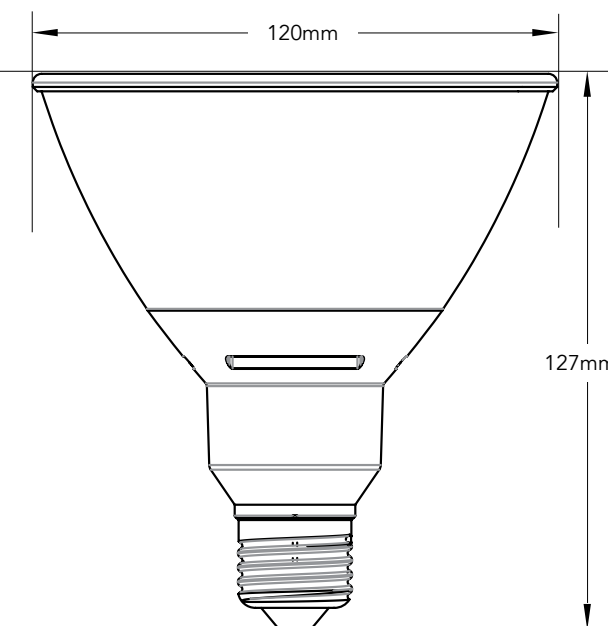


BENEFITS

- Excellent performance with high CRI of 90
- Multi beam angle of narrow flood and flood
- Smooth dimming to 10%
- Maintenance free with 25,000 hour lifetime
- Energy Star qualified
- Available in wide range of lumen output and color temperature
- Suitable for wet conditions

FEATURES

LED Power	17W
Delivered Lumens	1150-1250lm
Equivalent Source	Up to 120W Halogen
Color Rendering Index	90 CRI
L70 lm Maintenance Lifetime	25,000 hours
Base	E26
Beam Angle	25°/ 40°
Operating Temperature	-20°C to +40°C
Voltage	120V AC
Power Factor	0.9



SPECIFICATIONS

PRODUCT	MODEL	WATTAGE	BEAM ANGLE	LUMENS	CRI	CCT	BASE	LIFETIME	DIM	ES
PAR38	LP38JXE26D17-27KNH	17W	25°	1150lm	90	2700K	E26	25000h	Yes	Yes
	LP38JXE26D17-30KNH	17W	25°	1200lm	90	3000K	E26	25000h	Yes	Yes
	LP38JXE26D17-40KNH	17W	25°	1220lm	90	4000K	E26	25000h	Yes	Yes
	LP38JXE26D17-50KNH	17W	25°	1250lm	90	5000K	E26	25000h	Yes	Yes
	LP38JXE26D17-27KFH	17W	40°	1150lm	90	2700K	E26	25000h	Yes	Yes
	LP38JXE26D17-30KFH	17W	40°	1200lm	90	3000K	E26	25000h	Yes	Yes
	LP38JXE26D17-40KFH	17W	40°	1220lm	90	4000K	E26	25000h	Yes	Yes
	LP38JXE26D17-50KFH	17W	40°	1250lm	90	5000K	E26	25000h	Yes	Yes



CERTIFICATIONS:

APPLICATIONS:



DIMMABLE LED

ECO PAR20

LIGHTING FACTS (PER BULB)

Brightness 500lm

Estimated Yearly Energy Cost \$0.84
Based on 3 hrs/day, 11¢ /kWh.
Cost depends on rates and use.

Life 22.8 years
Based on 3 hrs/day

Energy Used 7W

Light Appearance

Light Color 2700-5000K
Correlated Color Temperature (CCT)

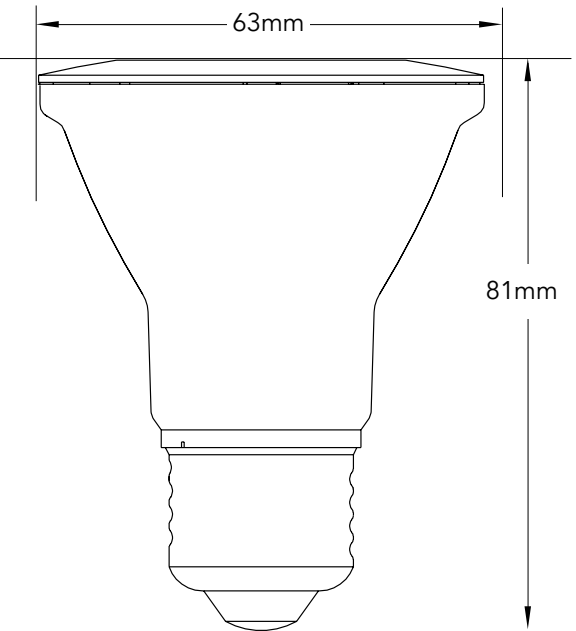


BENEFITS

- Light weight traditional design
- Smooth dimming to 10%
- Multiple beam angles
- Maintenance free with 25,000 hour lifetime
- Available in a wide range of color temperatures
- Available with ultra high lumen output
- Suitable for damp/wet locations

FEATURES

LED Power	7W
Delivered Lumens	500-550lm
Equivalent Source	50W
Color Rendering Index	80 CRI
L70 lm Maintenance Lifetime	25,000 hours
Base	E26
Beam Angle	25°/ 40°
Operating Temperature	-20°C to +40°C
Voltage	120V AC
Power Factor	0.9



SPECIFICATIONS

PRODUCT	MODEL	WATTAGE	BEAM ANGLE	LUMENS	CRI	CCT	BASE	LIFETIME	DIM	ES
ECO PAR20	LP20TAE26D07-27KN	7W	25°	500lm	80	2700K	E26	25000h	Yes	Yes
	LP20TAE26D07-30KN	7W	25°	500lm	80	3000K	E26	25000h	Yes	Yes
	LP20TAE26D07-40KN	7W	25°	550lm	80	4000K	E26	25000h	Yes	No
	LP20TAE26D07-50KN	7W	25°	550lm	80	5000K	E26	25000h	Yes	No
	LP20TAE26D07-27KF	7W	40°	500lm	80	2700K	E26	25000h	Yes	Yes
	LP20TAE26D07-30KF	7W	40°	500lm	80	3000K	E26	25000h	Yes	Yes
	LP20TAE26D07-40KF	7W	40°	550lm	80	4000K	E26	25000h	Yes	No
	LP20TAE26D07-50KF	7W	40°	550lm	80	5000K	E26	25000h	Yes	No





DIMMABLE LED

ECO PAR30

LIGHTING FACTS (PER BULB)

Brightness 500lm

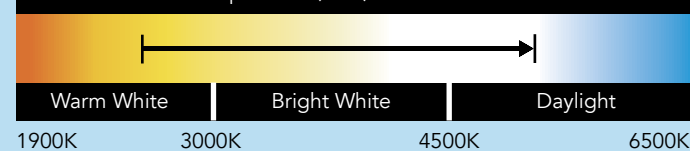
Estimated Yearly Energy Cost \$0.84
Based on 3 hrs/day, 11¢ /kWh.
Cost depends on rates and use.

Life 22.8 years
Based on 3 hrs/day

Energy Used 7W

Light Appearance

Light Color 2700-5000K
Correlated Color Temperature (CCT)

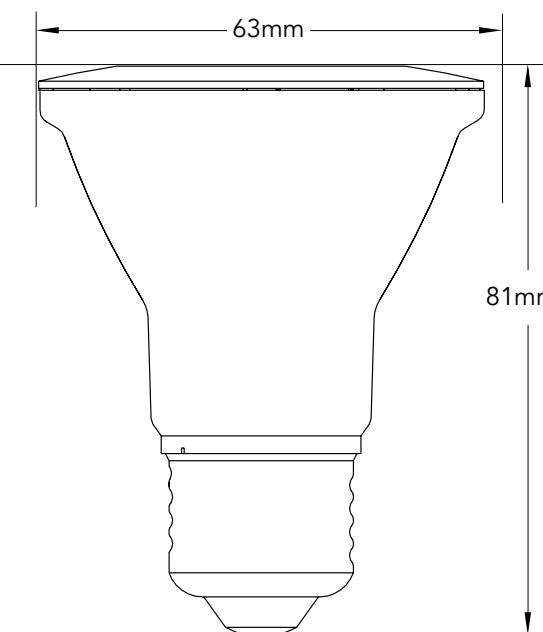


BENEFITS

- Light weight traditional design
- Smooth dimming to 10%
- Multiple beam angles
- Maintenance free with 25,000 hour lifetime
- Available in a wide range of color temperatures
- Available with ultra high lumen output
- Suitable for damp/wet locations

FEATURES

LED Power	7W
Delivered Lumens	500-550lm
Equivalent Source	50W
Color Rendering Index	80 CRI
L70 lm Maintenance Lifetime	25,000 hours
Base	E26
Beam Angle	25°/ 40°
Operating Temperature	-20°C to +40°C
Voltage	120V AC
Power Factor	0.9



SPECIFICATIONS

PRODUCT	MODEL	WATTAGE	BEAM ANGLE	LUMENS	CRI	CCT	BASE	LIFETIME	DIM	ES
ECO PAR20	LP20TAE26D07-27KN	7W	25°	500lm	80	2700K	E26	25000h	Yes	Yes
	LP20TAE26D07-30KN	7W	25°	500lm	80	3000K	E26	25000h	Yes	Yes
	LP20TAE26D07-40KN	7W	25°	550lm	80	4000K	E26	25000h	Yes	No
	LP20TAE26D07-50KN	7W	25°	550lm	80	5000K	E26	25000h	Yes	No
	LP20TAE26D07-27KF	7W	40°	500lm	80	2700K	E26	25000h	Yes	Yes
	LP20TAE26D07-30KF	7W	40°	500lm	80	3000K	E26	25000h	Yes	Yes
	LP20TAE26D07-40KF	7W	40°	550lm	80	4000K	E26	25000h	Yes	No
	LP20TAE26D07-50KF	7W	40°	550lm	80	5000K	E26	25000h	Yes	No



CERTIFICATIONS:

APPLICATIONS:



DIMMABLE LED

ECO PAR38

LIGHTING FACTS (PER BULB)

Brightness 1050lm

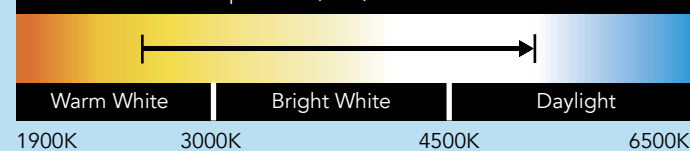
Estimated Yearly Energy Cost \$1.81
Based on 3 hrs/day, 11¢ /kWh.
Cost depends on rates and use.

Life 22.8 years
Based on 3 hrs/day

Energy Used 15W

Light Appearance

Light Color 2700-5000K
Correlated Color Temperature (CCT)

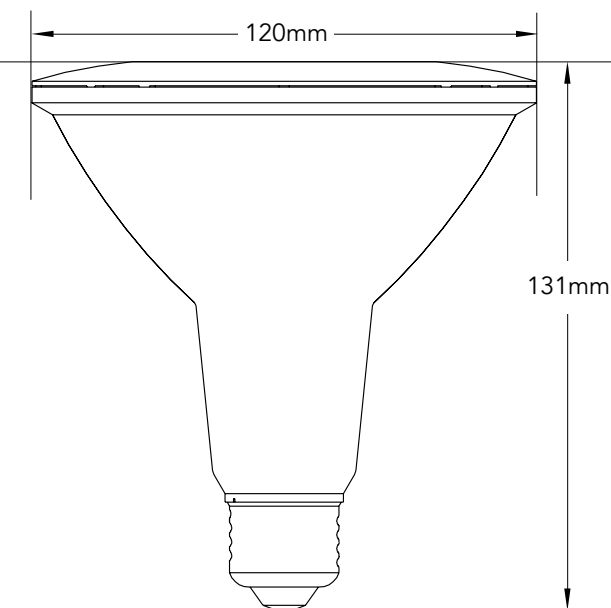


BENEFITS

- Light weight traditional design
- Smooth dimming to 10%
- Multiple beam angles
- Maintenance free with 25,000 hour lifetime
- Available in a wide range of color temperatures
- Available with ultra high lumen output

FEATURES

LED Power	15W
Delivered Lumens	1050-1100lm
Equivalent Source	120W
Color Rendering Index	80 CRI
L70 lm Maintenance Lifetime	25,000 hours
Base	E26
Beam Angle	25°/ 40°
Operating Temperature	-20°C to +40°C
Voltage	120V AC
Power Factor	0.9



SPECIFICATIONS

PRODUCT	MODEL	WATTAGE	BEAM ANGLE	LUMENS	CRI	CCT	BASE	LIFETIME	DIM	ES
ECO PAR38	LP38TAE26D15-27KN	15W	25°	1050lm	80	2700K	E26	25000h	Yes	Yes
	LP38TAE26D15-30KN	15W	25°	1050lm	80	3000K	E26	25000h	Yes	Yes
	LP38TAE26D15-40KN	15W	25°	1100lm	80	4000K	E26	25000h	Yes	No
	LP38TAE26D15-50KN	15W	25°	1100lm	80	5000K	E26	25000h	Yes	No
	LP38TAE26D15-27KF	15W	40°	1050lm	80	2700K	E26	25000h	Yes	Yes
	LP38TAE26D15-30KF	15W	40°	1050lm	80	3000K	E26	25000h	Yes	Yes
	LP38TAE26D15-40KF	15W	40°	1100lm	80	4000K	E26	25000h	Yes	Yes
	LP38TAE26D15-50KF	15W	40°	1100lm	80	5000K	E26	25000h	Yes	Yes



CERTIFICATIONS:

APPLICATIONS:



DIMMABLE LED

ECO PAR38 ULTRA

LIGHTING FACTS (PER BULB)

Brightness 1700lm

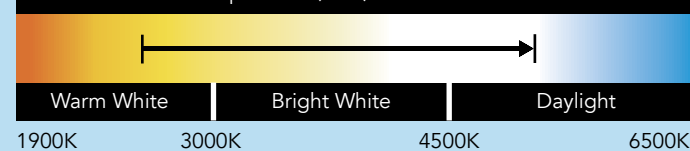
Estimated Yearly Energy Cost \$2.41
Based on 3 hrs/day, 11¢ /kWh.
Cost depends on rates and use.

Life 22.8 years
Based on 3 hrs/day

Energy Used 20W

Light Appearance

Light Color 2700-5000K
Correlated Color Temperature (CCT)

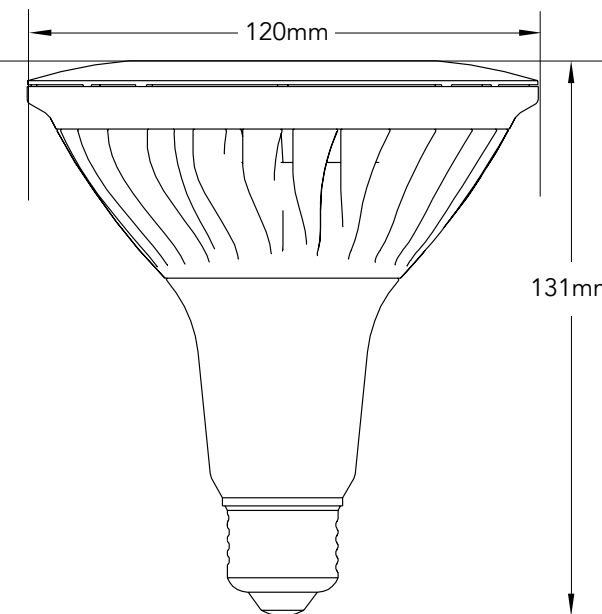


BENEFITS

- Light weight traditional design
- Smooth dimming to 10%
- Multiple beam angles
- Maintenance free with 25,000 hour lifetime
- Available in a wide range of color temperatures
- Available with ultra high lumen output

FEATURES

LED Power	20W
Delivered Lumens	1700-1750lm
Equivalent Source	150W
Color Rendering Index	80 CRI
L70 lm Maintenance Lifetime	25,000 hours
Base	E26
Beam Angle	25°/ 40°
Operating Temperature	-20°C to +40°C
Voltage	120V AC
Power Factor	0.9



SPECIFICATIONS

PRODUCT	MODEL	WATTAGE	BEAM ANGLE	LUMENS	CRI	CCT	BASE	LIFETIME	DIM	ES
ECO PAR38 ULTRA	LP38TAE26D20-27KN	20W	25°	1700lm	80	2700K	E26	25000h	Yes	Pending
	LP38TAE26D20-30KN	20W	25°	1700lm	80	3000K	E26	25000h	Yes	Pending
	LP38TAE26D20-40KN	20W	25°	1750lm	80	4000K	E26	25000h	Yes	Pending
	LP38TAE26D20-50KN	20W	25°	1750lm	80	5000K	E26	25000h	Yes	Pending
	LP38TAE26D20-27KF	20W	40°	1700lm	80	2700K	E26	25000h	Yes	Pending
	LP38TAE26D20-30KF	20W	40°	1700lm	80	3000K	E26	25000h	Yes	Pending
	LP38TAE26D20-40KF	20W	40°	1750lm	80	4000K	E26	25000h	Yes	Pending
	LP38TAE26D20-50KF	20W	40°	1750lm	80	5000K	E26	25000h	Yes	Pending



CERTIFICATIONS:

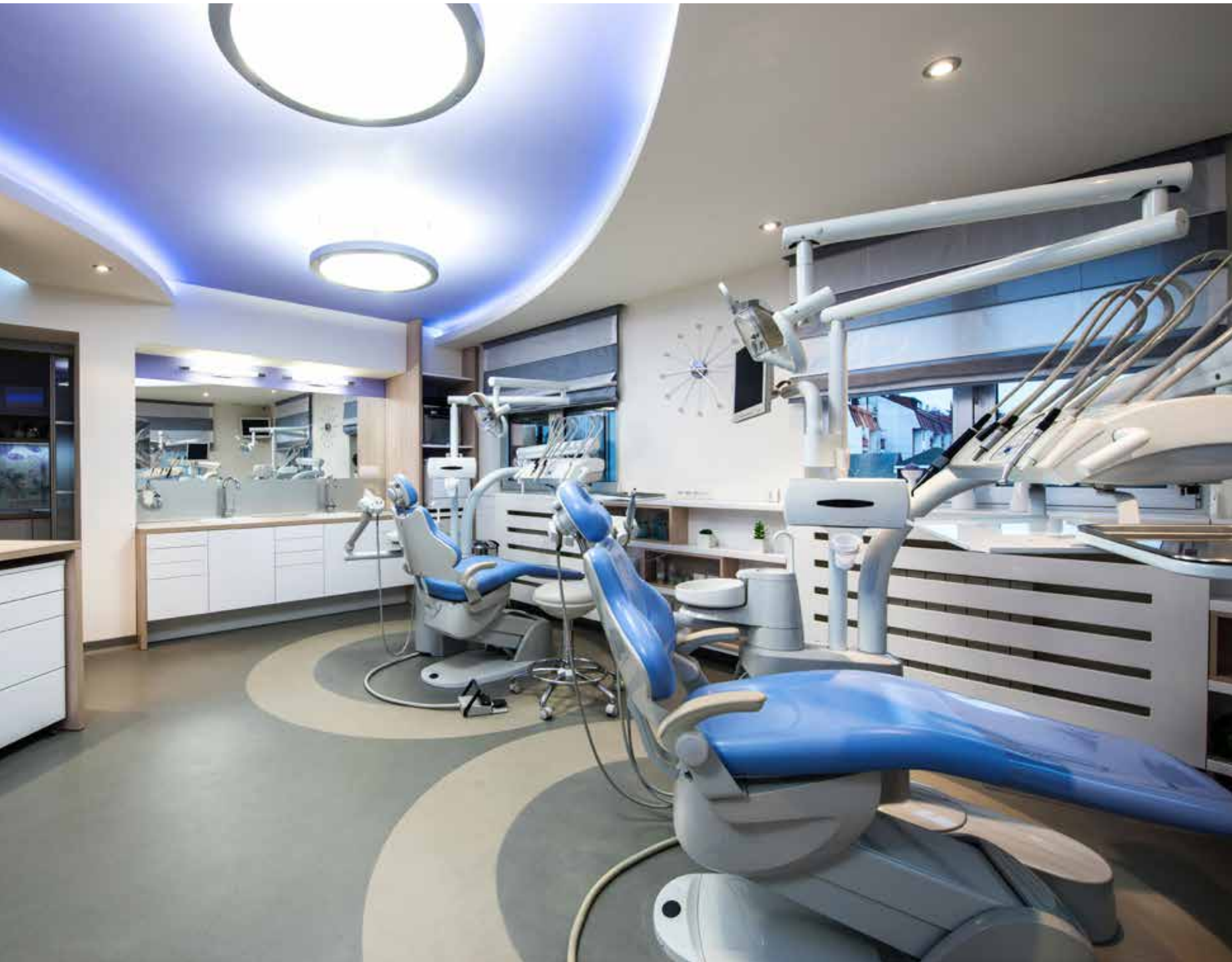


APPLICATIONS:



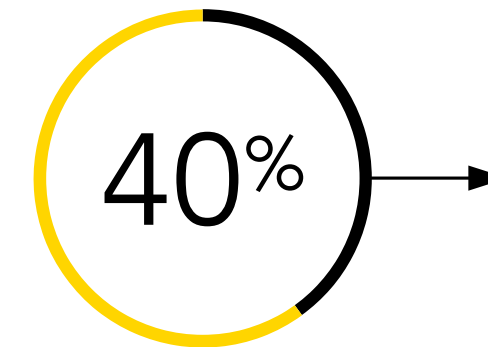
HEALTHCARE

APPLICATION



24/7 operation costs means hospitals use 2.5 times more energy than the average commercial building.

- Switching to LEDs can help cut costs dramatically
- Longer lifetimes of the LEDs means a cut in maintenance costs as well
- Better quality lighting can also improve healing and recovery time of a patient



LED replacements can save over 40% on indoor lighting costs

You can save up to 75% if you add lighting controls



PANELS



PARS



TUBES



1. MR16 GU5.3
2. MR16 GU10
3. ECO MR16 GU5.3
4. ECO MR16 GU10



MR16 SERIES

Whether you're looking to add a direct spotlight on a painting in a gallery, illuminate a handbag or a gorgeous pair of shoes, or add ambient wall lighting, the MR16 has you covered.

With two different bases, the GU10 and the GU5.3, it's never been easier to switch out those halogens and replace them with an energy saving LED version. With up to 84% energy savings compared to halogens and a high CRI of 95, the LUX MR16 will accurately portray whatever it is you're illuminating.



Restaurants



Hotels



Galleries



Retail



DIMMABLE LED

MR16

GU5.3

LIGHTING FACTS (PER BULB)

Brightness 500lm

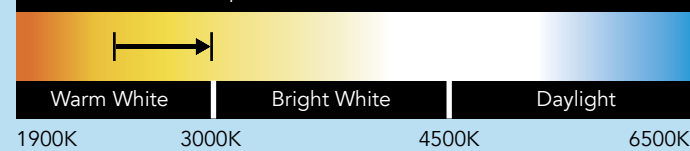
Estimated Yearly Energy Cost \$0.84 / \$0.96
Based on 3 hrs/day, 11¢ /kWh. Cost depends on rates and use.

Life 22.8 years
Based on 3 hrs/day

Energy Used 7W

Light Appearance

Light Color 2700-3000K
Correlated Color Temperature (CCT)

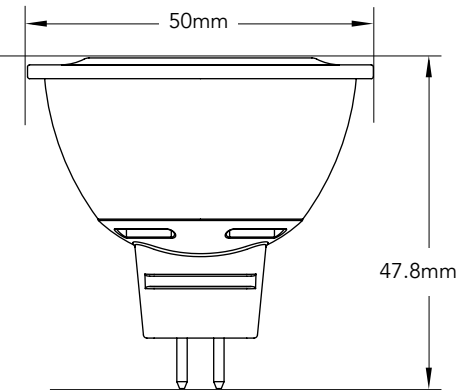


BENEFITS

- Traditional MR16 form factor of 50mm x 48mm
- 500 lumens output for true 50W Halogen replacement
- Excellent color rendering of 95 CRI
- Qualified for Energy Star
- Smooth dimming
- Maintenance Free with 25,000 hour lifetime

FEATURES

LED Power	7W
Delivered Lumens	500lm
Equivalent Source	35W / 50W Halogen
Color Rendering Index	80-95 CRI
L70 lm Maintenance Lifetime	25,000 hours
Base	GU5.3
Beam Angle	25°/ 38°
Operating Temperature	-20°C to +40°C
Voltage	120V AC
Power Factor	0.9



SPECIFICATIONS

PRODUCT	MODEL	WATTAGE	BEAM ANGLE	LUMENS	CRI	CCT	BASE	LIFETIME	DIM	ES
MR16 GU5.3	LMR16JAGU53D07-27KN	7W	25°	500lm	80	2700K	GU5.3	25000h	Yes	Yes
	LMR16JAGU53D07-30KN	7W	25°	500lm	80	3000K	GU5.3	25000h	Yes	Yes
	LMR16JAGU53D07-27KF	7W	38°	500lm	80	2700K	GU5.3	25000h	Yes	Yes
	LMR16JAGU53D07-30KF	7W	38°	500lm	80	3000K	GU5.3	25000h	Yes	Yes
MR16 GU5.3 High CRI	LMR16JCGU53D07-27KNH	7W	25°	500lm	94	2700K	GU5.3	25000h	Yes	Yes
	LMR16JCGU53D07-30KNH	7W	25°	500lm	95	3000K	GU5.3	25000h	Yes	Yes
	LMR16JCGU53D07-27KFH	7W	38°	500lm	94	2700K	GU5.3	25000h	Yes	Yes
	LMR16JCGU53D07-30KFH	7W	38°	500lm	95	3000K	GU5.3	25000h	Yes	Yes





DIMMABLE LED

MR16 GU10

LIGHTING FACTS (PER BULB)

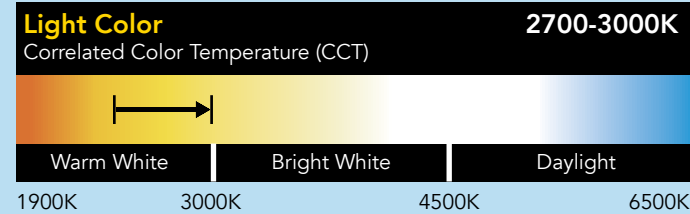
Brightness 380lm / 500lm

Estimated Yearly Energy Cost \$0.84 / \$0.96
Based on 3 hrs/day, 11¢ /kWh.
Cost depends on rates and use.

Life 22.8 years
Based on 3 hrs/day

Energy Used 7W

Light Appearance

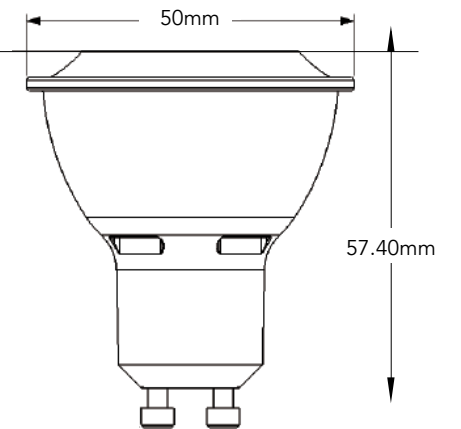


BENEFITS

- Traditional GU10 design
- 500 Lumens output for true 50W Halogen replacement
- Excellent color rendering of 80 CRI and 90 CRI
- Smooth dimming
- Maintenance free with 25,000hr lifetime

FEATURES

LED Power	7W
Delivered Lumens	380-500lm
Equivalent Source	35-50W Halogen
Color Rendering Index	80-90 CRI
L70 lm Maintenance Lifetime	25,000 hours
Base	GU10
Beam Angle	24°/ 38°
Operating Temperature	-20°C to +40°C
Voltage	120V AC
Power Factor	0.9



SPECIFICATIONS

PRODUCT	MODEL	WATTAGE	BEAM ANGLE	LUMENS	CRI	CCT	BASE	LIFETIME	DIM	ES
GU10	LMR16JAGU10D07-27KN	7W	25°	500lm	80	2700K	GU10	25000h	Yes	Yes
	LMR16JAGU10D07-30KN	7W	25°	500lm	80	3000K	GU10	25000h	Yes	Yes
	LMR16JAGU10D07-27KF	7W	38°	500lm	80	2700K	GU10	25000h	Yes	Yes
	LMR16JAGU10D07-30KF	7W	38°	500lm	80	3000K	GU10	25000h	Yes	Yes
GU10 High CRI	LMR16JAGU10D07-27KNH	7W	25°	380lm	90	2700K	GU10	25000h	Yes	No
	LMR16JAGU10D07-30KNH	7W	25°	380lm	90	3000K	GU10	25000h	Yes	No
	LMR16JAGU10D07-27KFH	7W	38°	380lm	90	2700K	GU10	25000h	Yes	No
	LMR16JAGU10D07-30KFH	7W	38°	380lm	90	3000K	GU10	25000h	Yes	No





DIMMABLE LED

ECO MR16 GU5.3

LIGHTING FACTS (PER BULB)

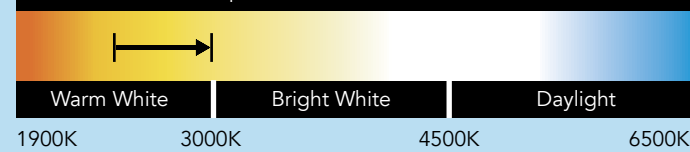
Brightness 380lm

Life 22.8 years
Based on 3 hrs/day

Energy Used 6W

Light Appearance

Light Color 2700-3000K
Correlated Color Temperature (CCT)

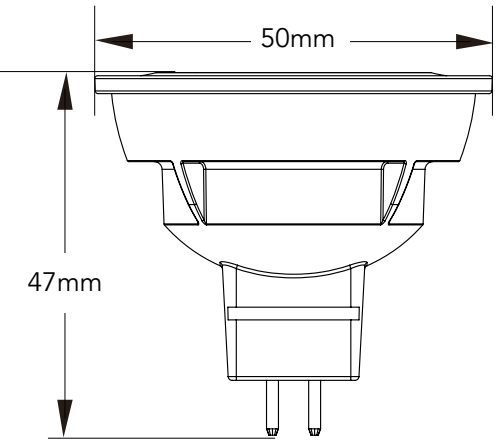


BENEFITS

- Traditional MR16
- 380 Lumens output for true 35W Halogen replacement
- Instant on, no flicker
- Maintenance free with 25,000hr lifetime

FEATURES

LED Power	6W
Delivered Lumens	380lm
Equivalent Source	35W
Color Rendering Index	80 CRI
L70 lm Maintenance Lifetime	25,000 hours
Base	GU5.3
Beam Angle	38°
Operating Temperature	-20°C to +40°C
Voltage	120V AC
Power Factor	0.9



SPECIFICATIONS

PRODUCT	MODEL	WATTAGE	BEAM ANGLE	LUMENS	CRI	CCT	BASE	LIFETIME	DIM
6W GU5.3	LMR16JAGU53N06-27KF	6W	38°	380lm	80	2700K	GU5.3	25000h	Yes
	LMR16JAGU53N06-30KF	6W	38°	380lm	80	3000K	GU5.3	25000h	Yes





DIMMABLE LED

ECO MR16 GU10

LIGHTING FACTS (PER BULB)

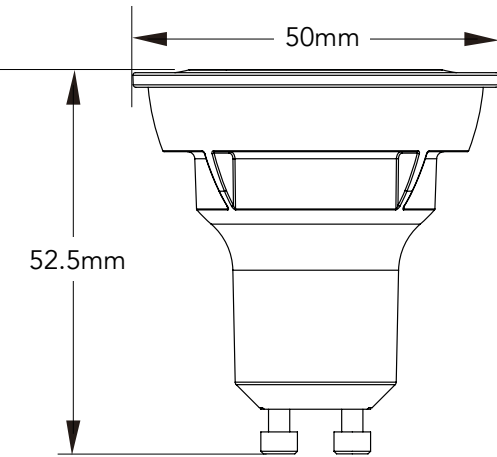
Brightness	380lm
Life Based on 3 hrs/day	22.8 years
Energy Used	6W
Light Appearance	
Light Color Correlated Color Temperature (CCT)	2700-3000K
2700K	3000K
4500K	6500K

BENEFITS

- Traditional GU10
- 380 Lumens output for true 35W Halogen replacement
- Instant on, no flicker
- Maintenance free with 25,000hr lifetime

FEATURES

LED Power	6W
Delivered Lumens	380lm
Equivalent Source	35W
Color Rendering Index	80 CRI
L70 lm Maintenance Lifetime	25,000 hours
Base	GU10
Beam Angle	38°
Operating Temperature	-20°C to +40°C
Voltage	120V AC
Power Factor	0.9



SPECIFICATIONS

PRODUCT	MODEL	WATTAGE	BEAM ANGLE	LUMENS	CRI	CCT	BASE	LIFETIME	DIM
6W GU10	LMR16JAGU10D06-27KF	6W	38°	380lm	80	2700K	GU10	25000h	Yes
	LMR16JAGU10D06-30KF	6W	38°	380lm	80	3000K	GU10	25000h	Yes



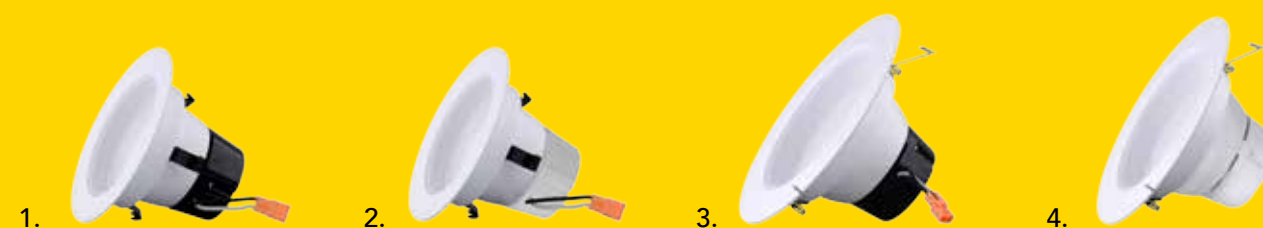


1. 4 INCH DOWN LIGHT

2. 4 INCH DOWN LIGHT
HIGH CRI

3. 6 INCH DOWN LIGHT

2. 6 INCH DOWN LIGHT
HIGH CRI



DOWN LIGHTS

Easily replace your current down lights with an energy-saving LED version. All of our down lights are traditionally designed and will replace existing recessed housings with the E26 screw base and T24 connector for simple replacement and installation. They are UL Listed, Energy Star qualified, and maintenance-free with over 35,000 hour lifetime.

Since they are suitable for damp and wet locations, have smooth dimming to 10%, and have a high CRI option for each size, we're sure you'll find multiple uses for them to shine.



Restaurants



Residential



Commercial



Education



Government



DIMMABLE LED DOWN LIGHT

4" DOWN

LIGHTING FACTS (PER BULB)

Brightness 650lm / 850lm

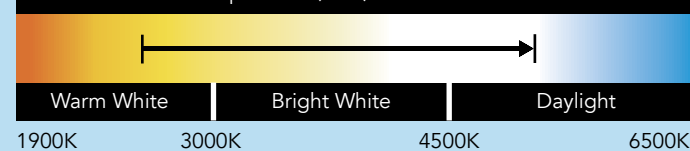
Estimated Yearly Energy Cost \$1.32 / \$1.45
Based on 3 hrs/day, 11¢ / kWh.
Cost depends on rates and use.

Life 22.8 years
Based on 3 hrs/day

Energy Used 11W / 12W

Light Appearance

Light Color 2700-5000K
Correlated Color Temperature (CCT)

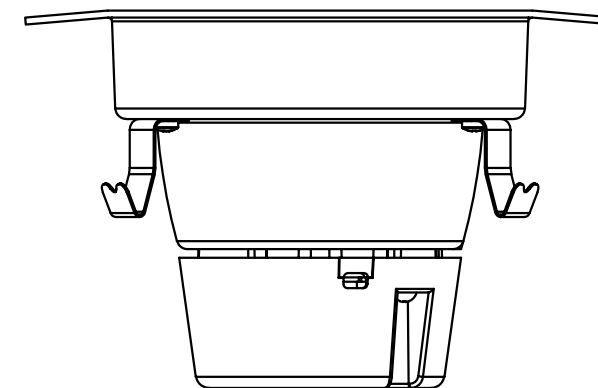


BENEFITS

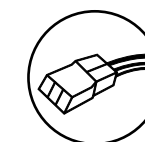
- Up to 75W incandescent replacement
- Instant on and smooth dimming to 10%
- Compatible with 4" existing recessed housings
- Maintenance free with 35,000hr lifetime
- E26 Screw base and T24 connector available
- UL listed, Energy Star qualified
- Suitable for damp and wet locations

FEATURES

LED Power	11W	12W
Delivered Lumens	650-700lm	850-900lm
Equivalent Source	65W	75W
Color Rendering Index	80 CRI	
L70 lm Maintenance Lifetime	35,000 hours	
Base	E26	
Beam Angle	90°	
Operating Temperature	-20°C to +40°C	
Voltage	120V AC	
Power Factor	0.9	



Medium base socket adapter makes installation easy



Hardwire adapter to meet T24

SPECIFICATIONS

PRODUCT	MODEL	WATTAGE*	BEAM ANGLE	LUMENS	CRI	CCT	BASE	LIFETIME	DIM	ES
4" Down light 11W	LDWTWCR4D11-27K	11W	90°	650lm	80	2700K	E26	35000h	Yes	Yes
	LDWTWCR4D11-30K	11W	90°	650lm	80	3000K	E26	35000h	Yes	Yes
	LDWTWCR4D11-40K	11W	90°	700lm	80	4000K	E26	35000h	Yes	Yes
	LDWTWCR4D11-50K	11W	90°	700lm	80	5000K	E26	35000h	Yes	Yes
4" Down light 12W	LDWTWCR4D12-27K	12W	90°	850lm	80	2700K	E26	35000h	Yes	Yes
	LDWTWCR4D12-30K	12W	90°	850lm	80	3000K	E26	35000h	Yes	Yes
	LDWTWCR4D12-40K	12W	90°	900lm	80	4000K	E26	35000h	Yes	Yes
	LDWTWCR4D12-50K	12W	90°	900lm	80	5000K	E26	35000h	Yes	Yes



CERTIFICATIONS:

APPLICATIONS:



DIMMABLE LED DOWN LIGHT

4" DOWN

HIGH CRI

LIGHTING FACTS (PER BULB)

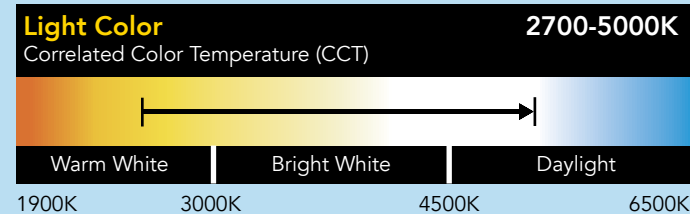
Brightness 650lm

Estimated Yearly Energy Cost \$1.45
Based on 3 hrs/day, 11¢ /kWh.
Cost depends on rates and use.

Life 32 years
Based on 3 hrs/day

Energy Used 12W

Light Appearance

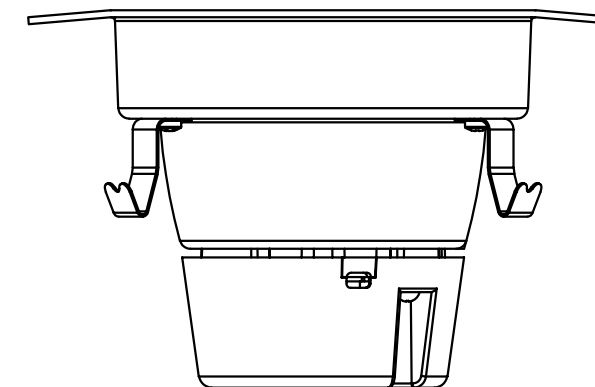


BENEFITS

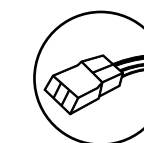
- Up to 65W incandescent replacement
- Instant on and smooth dimming to 10%
- Compatible with 4" existing recessed housings
- Maintenance free with 35,000hr lifetime
- E26 Screw base and T24 connector available
- UL listed, Energy Star qualified
- Suitable for damp and wet locations

FEATURES

LED Power	12W
Delivered Lumens	650-700lm
Equivalent Source	65W Incandescent
Color Rendering Index	90 CRI
L70 lm Maintenance Lifetime	35,000 hours
Base	E26
Beam Angle	90°
Operating Temperature	-20°C to +40°C
Voltage	120V AC
Power Factor	0.9



Medium base socket adapter makes installation easy



Hardwire adapter to meet T24

SPECIFICATIONS

PRODUCT	MODEL	WATTAGE	BEAM ANGLE	LUMENS	CRI	CCT	BASE	LIFETIME	DIM	ES
4" Down light High CRI	LDWTWCR4D12-27KH	12W	90°	650lm	90	2700K	E26	35000h	Yes	Yes
	LDWTWCR4D12-30KH	12W	90°	650lm	90	3000K	E26	35000h	Yes	Yes
	LDWTWCR4D12-40KH	12W	90°	700lm	90	4000K	E26	35000h	Yes	No
	LDWTWCR4D12-50KH	12W	90°	700lm	90	5000K	E26	35000h	Yes	No



CERTIFICATIONS:

APPLICATIONS:



DIMMABLE LED DOWN LIGHT

6" DOWN

LIGHTING FACTS (PER BULB)

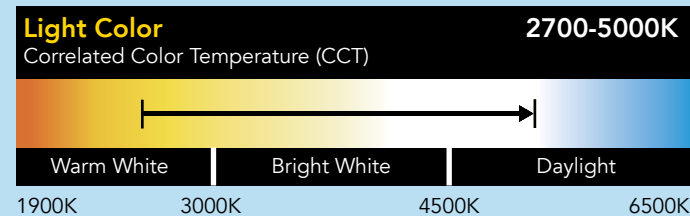
Brightness 750lm / 900lm / 1200lm

Estimated Yearly Energy Cost \$1.45 / \$1.57 / \$2.29
Based on 3 hrs/day, 11¢ /kWh. Cost depends on rates and use.

Life 32 years
Based on 3 hrs/day

Energy Used 12W / 13W / 19W

Light Appearance

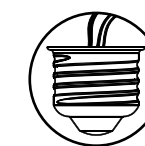
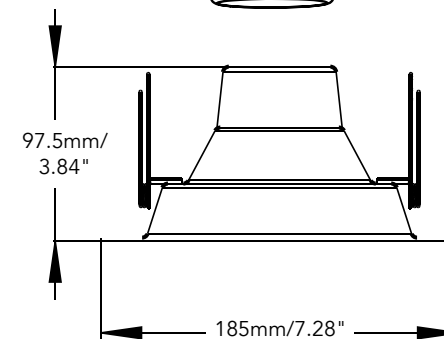
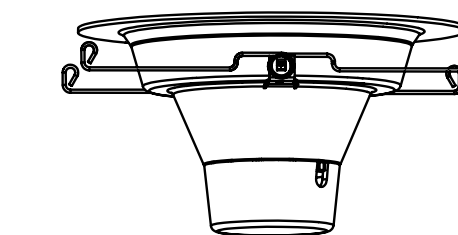


BENEFITS

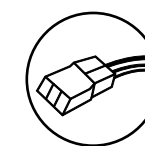
- Energy Star qualified with lifetime of 35,000 hours
- Instant on and smooth dimming to 10%
- Available in wide range of power, lumen, and color temperatures
- Suitable for damp and wet locations
- Compatible with 5" / 6" existing recessed housings

FEATURES

LED Power	12W	13W	19W
Delivered Lumens	750lm	900lm	1200lm
Equivalent Source	65W	75W	100W
Color Rendering Index	80 CRI		
L70 lm Maintenance Lifetime	35,000 hours		
Base	E26		
Beam Angle	90°		
Operating Temperature	-20°C to +40°C		
Voltage	120V AC		
Power Factor	0.9		



Medium base socket adapter makes installation easy



Hardwire adapter to meet T24



CERTIFICATIONS:

APPLICATIONS:

SPECIFICATIONS

PRODUCT	MODEL	WATTAGE	BEAM ANGLE	LUMENS	CRI	CCT	BASE	LIFETIME	DIM	ES
5 1/2" Down light	LDWTWCR6D12-27K	12W	90°	750lm	80	2700K	E26	35000h	Yes	Yes
	LDWTWCR6D12-30K	12W	90°	750lm	80	3000K	E26	35000h	Yes	Yes
	LDWTWCR6D12-40K	12W	90°	800lm	80	4000K	E26	35000h	Yes	Yes
	LDWTWCR6D12-50K	12W	90°	800lm	80	5000K	E26	35000h	Yes	Yes
	LDWTWCR6D13-27K	13W	90°	900lm	80	2700K	E26	35000h	Yes	Yes
	LDWTWCR6D13-30K	13W	90°	900lm	80	3000K	E26	35000h	Yes	Yes
	LDWTWCR6D13-40K	13W	90°	950lm	80	4000K	E26	35000h	Yes	Yes
	LDWTWCR6D13-50K	13W	90°	950lm	80	5000K	E26	35000h	Yes	Yes
	LDWTWCR6D19-27K	19W	90°	1200lm	80	2700K	E26	35000h	Yes	Yes
	LDWTWCR6D19-30K	19W	90°	1200lm	80	3000K	E26	35000h	Yes	Yes
	LDWTWCR6D19-40K	19W	90°	1250lm	80	4000K	E26	35000h	Yes	Yes
	LDWTWCR6D19-50K	19W	90°	1250lm	80	5000K	E26	35000h	Yes	Yes



DIMMABLE LED DOWN LIGHT

6" DOWN

HIGH CRI

LIGHTING FACTS (PER BULB)

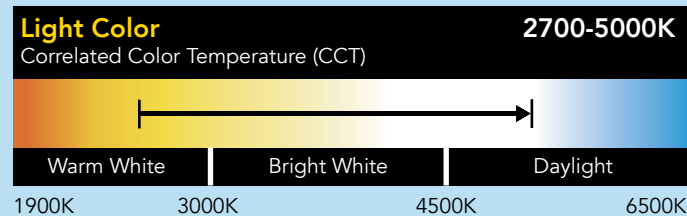
Brightness 750lm / 900lm / 1200lm

Estimated Yearly Energy Cost
Based on 3 hrs/day, 11¢ /kWh. Cost depends on rates and use. **\$1.45 / \$1.93 / \$2.29**

Life
Based on 3 hrs/day **32 years**

Energy Used 12W / 16W / 19W

Light Appearance

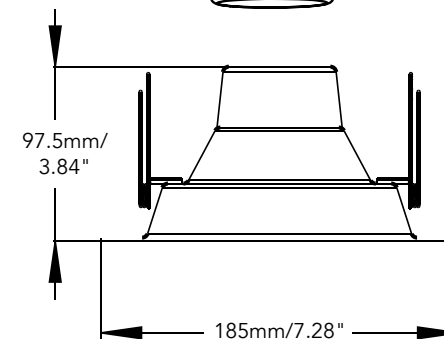
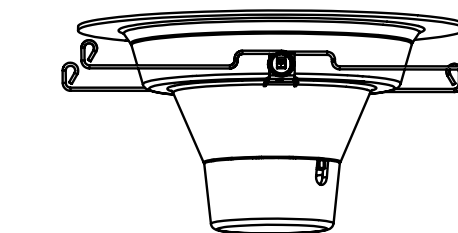


BENEFITS

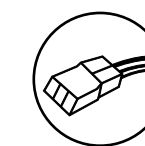
- Energy Star qualified with lifetime of 35,000 hours
- Instant on and smooth dimming to 10%
- Available in wide range of power, lumen, and color temperatures
- Suitable for damp and wet locations
- Compatible with 5" / 6" existing recessed housings

FEATURES

LED Power	12W	16W	19W
Delivered Lumens	750lm	900lm	1200lm
Equivalent Source	65W	75W	100W
Color Rendering Index	90 CRI		
L70 lm Maintenance Lifetime	35,000 hours		
Base	E26		
Beam Angle	90°		
Operating Temperature	-20°C to +40°C		
Voltage	120V AC		
Power Factor	0.9		



Medium base socket adapter makes installation easy



Hardwire adapter to meet T24



CERTIFICATIONS:

APPLICATIONS:

SPECIFICATIONS

PRODUCT	MODEL	WATTAGE	BEAM ANGLE	LUMENS	CRI	CCT	BASE	LIFETIME	DIM	ES
5/6" Down light	LDWTWCR6D12-27KH	12W	90°	750lm	90	2700K	E26	35000h	Yes	Yes
	LDWTWCR6D12-30KH	12W	90°	750lm	90	3000K	E26	35000h	Yes	Yes
	LDWTWCR6D12-40KH	12W	90°	800lm	90	4000K	E26	35000h	Yes	No
	LDWTWCR6D12-50KH	12W	90°	800lm	90	5000K	E26	35000h	Yes	No
	LDWTWCR6D16-27KH	16W	90°	900lm	90	2700K	E26	35000h	Yes	Yes
	LDWTWCR6D16-30KH	16W	90°	900lm	90	3000K	E26	35000h	Yes	Yes
	LDWTWCR6D16-40KH	16W	90°	950lm	90	4000K	E26	35000h	Yes	No
	LDWTWCR6D16-50KH	16W	90°	950lm	90	5000K	E26	35000h	Yes	No
	LDWTWCR6D19-27KH	19W	90°	1200lm	90	2700K	E26	35000h	Yes	Yes
	LDWTWCR6D19-30KH	19W	90°	1200lm	90	3000K	E26	35000h	Yes	Yes
	LDWTWCR6D19-40KH	19W	90°	1250lm	90	4000K	E26	35000h	Yes	No
	LDWTWCR6D19-50KH	19W	90°	1250lm	90	5000K	E26	35000h	Yes	No



COMMERCIAL

APPLICATION



Incorporating the most efficient lighting to your building can:

- Save you money
- Increase value of the property
- Allow you to increase rents
- Improve productivity of workers

A case study of a 12-story, 300,000 square foot office building in the Chelsea neighborhood of Manhattan, showed that a lighting retrofit, with increased day-lighting measures and improved HVAC measures, would save over \$500,000 per year, with a payback of one year.



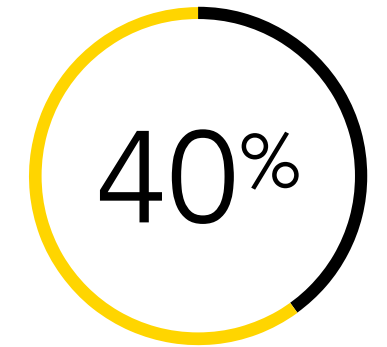
PANELS



DOWN

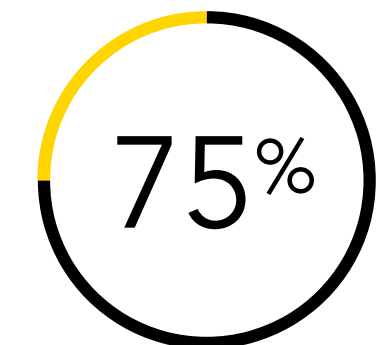


TUBES



LED replacements can save over 40% on indoor lighting costs

You can save up to 75% if you add lighting controls



1. ULTRA SLIM PANEL
2x2 AND 2x4 FOOT

1. ULTRA SLIM PANEL
1x2 AND 1x4 FOOT

2. ROUND PANEL
4, 6, AND 8 INCHES



PANELS

Replace your fluorescent panels with better quality lighting and energy-saving prices with LUX LED panels. LUX panels offer an ultra-slim and modern design with extremely harmonious and uniform illumination. They feature smooth dimming, high efficiency, multiple lumen, size, and color options, and 25,000 hour lifetime.



Education



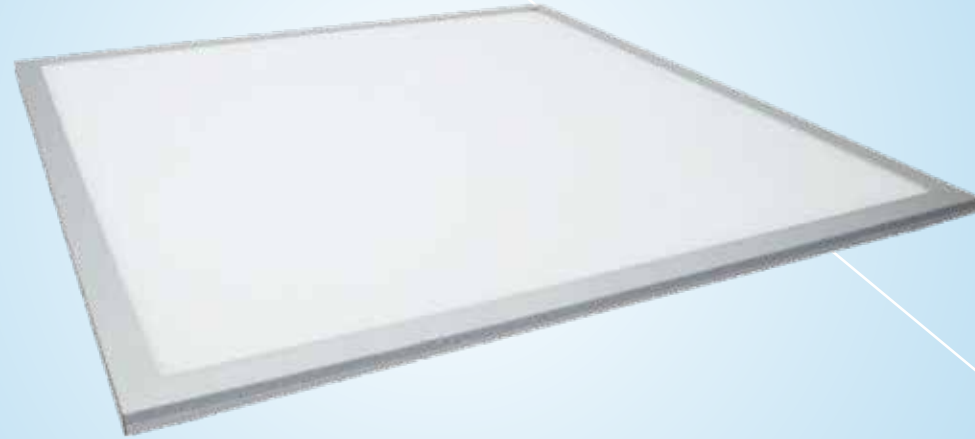
Government



Commercial



Healthcare



DIMMABLE ULTRA SLIM LED PANEL

PANEL

2x2 • 2x4

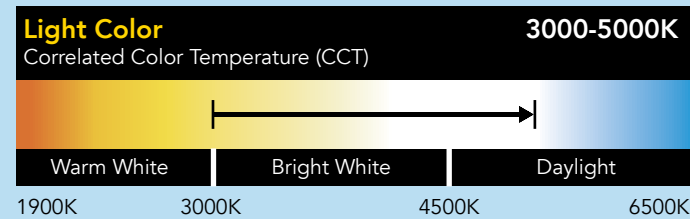
LIGHTING FACTS (PER PANEL)

Brightness 3000-6200lm

Life 25,000 hours

Energy Used 35W / 40W / 50W / 70W

Light Appearance

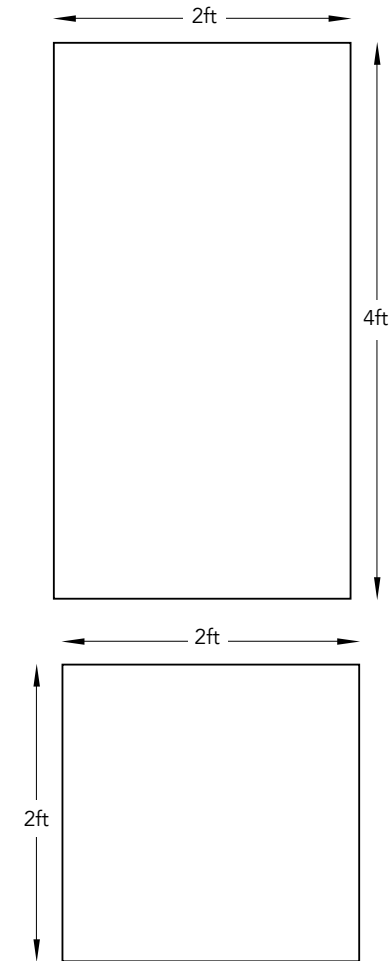


BENEFITS

- Ultra slim flat panel design
- Extremely harmonious and uniform illumination
- High efficiency design with 85lm/W panel efficacy
- Instant on, smooth dimming, no flicker
- Multiple options on power, lumen and color temperature

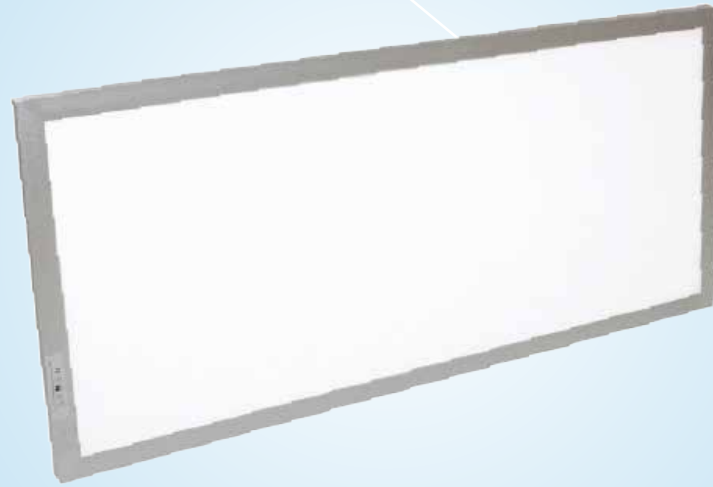
FEATURES

Fixture Power	35-70W
Delivered Lumens	3000-6200lm
Dimensions	603x1212(603)x10mm
Color Rendering Index	80 CRI
L70 lm Maintenance Lifetime	25,000 hours
Net Weight	12kg
Beam Angle	120°
Operating Temperature	-20°C to +40°C
Voltage	100-277V AC
Power Factor	0.95



SPECIFICATIONS

PRODUCT	MODEL	WATTAGE	LUMENS	CRI	CCT	LIFETIME	DIMENSION	WEIGHT	DIM	DLC
PANEL 2x2	LPAN22YMD35-30K	35W	3000lm	80	3000K	25000h	603x603x10mm	5.5kg	Yes	Yes
	LPAN22YMD35-40K	35W	3000lm	80	4000K	25000h	603x603x10mm	5.5kg	Yes	Yes
	LPAN22YMD35-50K	35W	3000lm	80	5000K	25000h	603x603x10mm	5.5kg	Yes	Yes
	LPAN22YMD40-30K	40W	3400lm	80	3000K	25000h	603x603x10mm	5.5kg	Yes	Yes
	LPAN22YMD40-40K	40W	3400lm	80	4000K	25000h	603x603x10mm	5.5kg	Yes	Yes
	LPAN22YMD40-50K	40W	3400lm	80	5000K	25000h	603x603x10mm	5.5kg	Yes	Yes
	LPAN22YMD50-30K	50W	4200lm	80	3000K	25000h	603x603x10mm	5.5kg	Yes	Yes
	LPAN22YMD50-40K	50W	4200lm	80	4000K	25000h	603x603x10mm	5.5kg	Yes	Yes
PANEL 2x4	LPAN24YMD50-30K	50W	4200lm	80	3000K	25000h	603x1212x10mm	12kg	Yes	Yes
	LPAN24YMD50-40K	50W	4200lm	80	4000K	25000h	603x1212x10mm	12kg	Yes	Yes
	LPAN24YMD50-50K	50W	4200lm	80	5000K	25000h	603x1212x10mm	12kg	Yes	Yes
	LPAN24YMD70-30K	70W	6200lm	80	3000K	25000h	603x1212x10mm	12kg	Yes	Yes
	LPAN24YMD70-40K	70W	6200lm	80	4000K	25000h	603x1212x10mm	12kg	Yes	Yes
	LPAN24YMD70-50K	70W	6200lm	80	5000K	25000h	603x1212x10mm	12kg	Yes	Yes



DIMMABLE ULTRA SLIM LED

PANEL

1x2 • 1x4

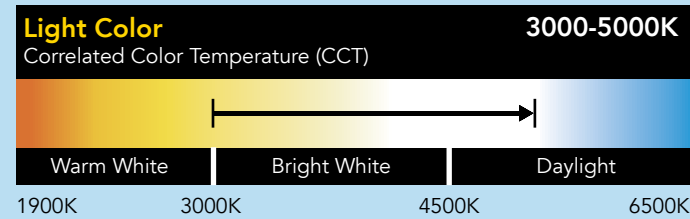
LIGHTING FACTS (PER PANEL)

Brightness 1700lm / 3400lm

Life 25,000 hours

Energy Used 20W / 40W

Light Appearance

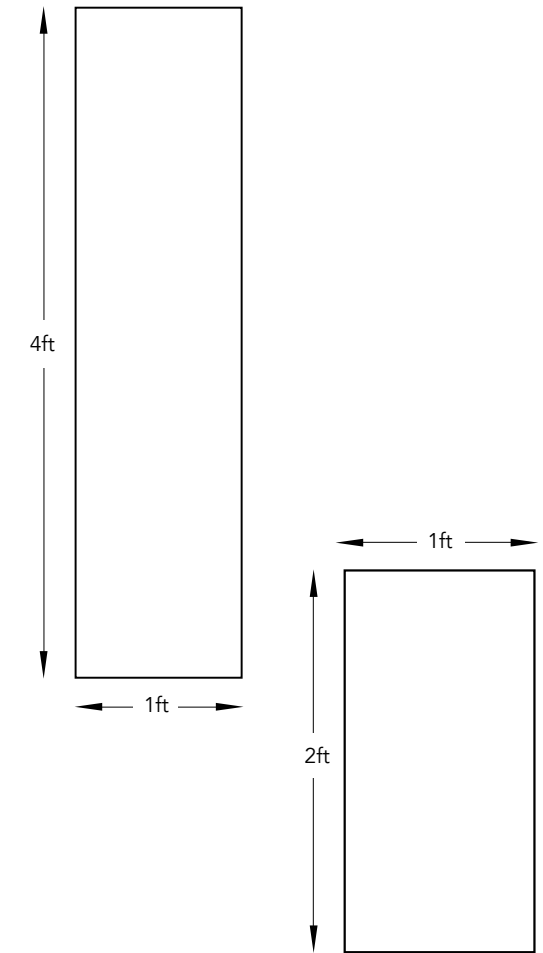


BENEFITS

- Ultra slim flat panel design
- Extremely harmonious and uniform illumination
- High efficiency design with 85lm/W panel efficacy
- Instant on, smooth dimming, no flicker
- Multiple options on power, lumen and color temperature

FEATURES

Fixture Power	20W	40W
Delivered Lumens	1700lm	3400lm
Dimensions	301x603(1212)x10mm	
Color Rendering Index	80 CRI	
L70 lm Maintenance Lifetime	25,000 hours	
Net Weight	3.5kg	6.5kg
Beam Angle	120°	
Operating Temperature	-20°C to +40°C	
Voltage	100-277V AC	
Power Factor	0.95	



SPECIFICATIONS

PRODUCT	MODEL	WATTAGE	LUMENS	CRI	CCT	LIFETIME	DIMENSION	WEIGHT	DIM	DLC
PANEL 1x2	LPAN12YMD20-30K	20W	1700lm	80	3000K	25000h	301x603x10mm	3.5kg	Yes	Yes
	LPAN12YMD20-40K	20W	1700lm	80	4000K	25000h	301x603x10mm	3.5kg	Yes	Yes
	LPAN12YMD20-50K	20W	1700lm	80	5000K	25000h	301x603x10mm	3.5kg	Yes	Yes
PANEL 1x4	LPAN14YMD40-30K	40W	3400lm	80	3000K	25000h	301x1212x10mm	6.5kg	Yes	Yes
	LPAN14YMD40-40K	40W	3400lm	80	4000K	25000h	301x1212x10mm	6.5kg	Yes	Yes
	LPAN14YMD40-50K	40W	3400lm	80	5000K	25000h	301x1212x10mm	6.5kg	Yes	Yes



DIMMABLE ULTRA SLIM LED PANEL

ROUND

4" • 6" • 8"

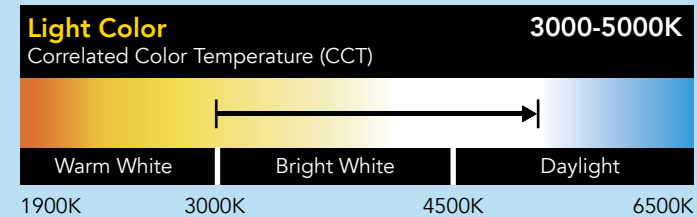
LIGHTING FACTS (PER PANEL)

Brightness 500lm / 1000lm / 1650lm

Life 25,000 hours

Energy Used 8W / 15W / 26W

Light Appearance



BENEFITS

- Aluminum housing with white and silver color for option, ultra-thin design conception
- Matched with a high efficiency constant current driver
- Energy saving, low heat, no UV or IR radiation, no mercury
- Recessed installation
- High quality PMMA diffuser with over 90% light transmission achieves even and soft light output

FEATURES

Fixture Power	8W	15W	26W
Delivered Lumens	500lm	1000lm	1650lm
Color Rendering Index	80 CRI		
L70 lm Maintenance Lifetime	25,000 hours		
Net Weight	5.8kg	8.3kg	12.8kg
Beam Angle	120°		
Operating Temperature	-20°C to +40°C		
Voltage	100-277V AC		
Power Factor	0.95		

SPECIFICATIONS

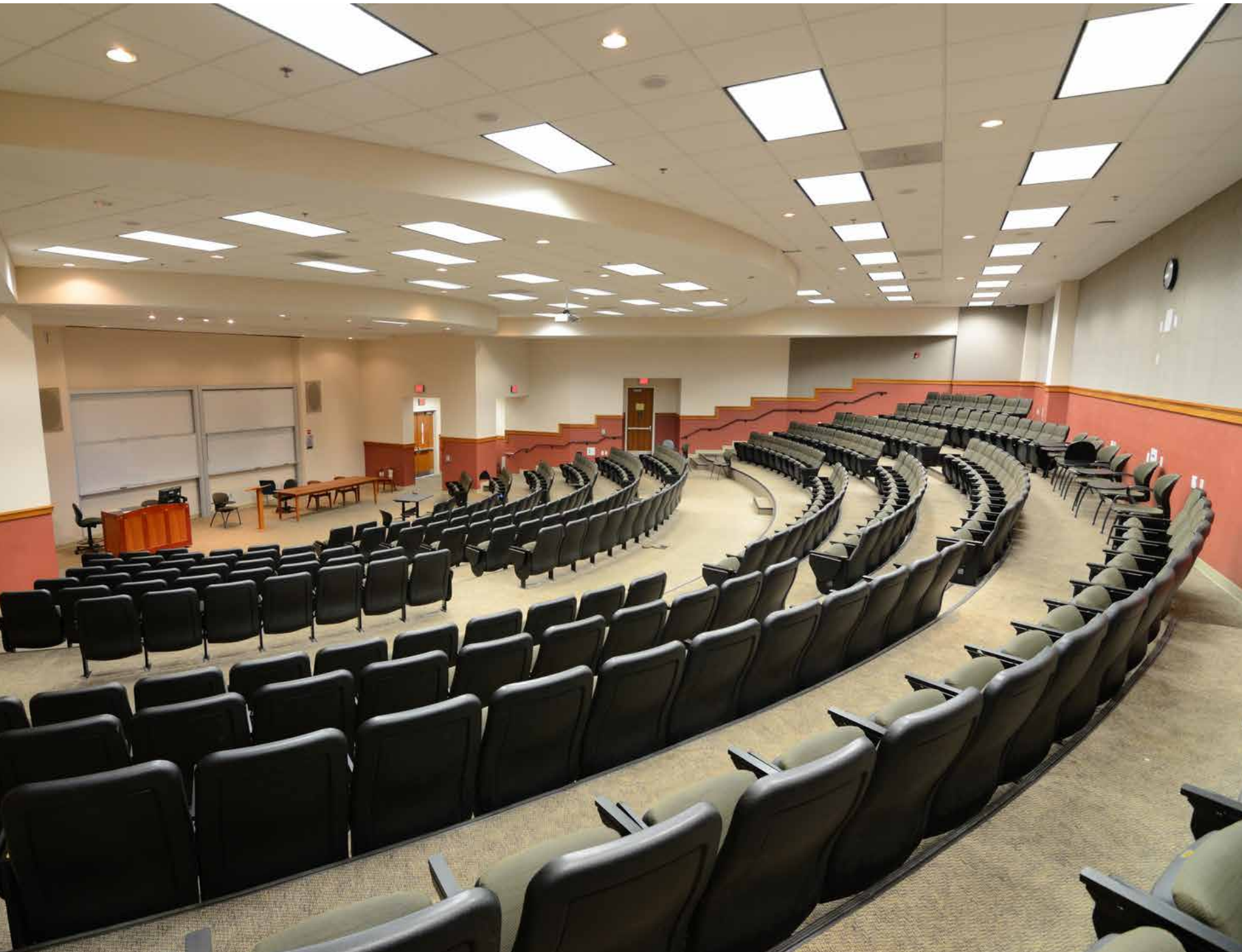
PRODUCT	MODEL	WATTAGE	LUMENS	CRI	CCT	DIMENSIONS	WEIGHT	LIFETIME	DIM	ES
4" Round	LDWLRCR4D08-30K	8W	400lm	80	3000K	350x320x205mm	5.8kg	25000h	Yes	No
	LDWLRCR4D08-40K	8W	500lm	80	4000K	350x320x205mm	5.8kg	25000h	Yes	No
	LDWLRCR4D08-50K	8W	550lm	80	5000K	350x320x205mm	5.8kg	25000h	Yes	No
6" Round	LDWLRCR6D15-30K	15W	900lm	80	3000K	350x390x243mm	8.3kg	25000h	Yes	No
	LDWLRCR6D15-40K	15W	1000lm	80	4000K	350x390x243mm	8.3kg	25000h	Yes	No
	LDWLRCR6D15-50K	15W	1050lm	80	5000K	350x390x243mm	8.3kg	25000h	Yes	No
8" Round	LDWLRCR8D26-30K	26W	1500lm	80	3000K	400x516x308mm	12.8kg	25000h	Yes	No
	LDWLRCR8D26-40K	26W	1650lm	80	4000K	400x516x308mm	12.8kg	25000h	Yes	No
	LDWLRCR8D26-50K	26W	1700lm	80	5000K	400x516x308mm	12.8kg	25000h	Yes	No





EDUCATION

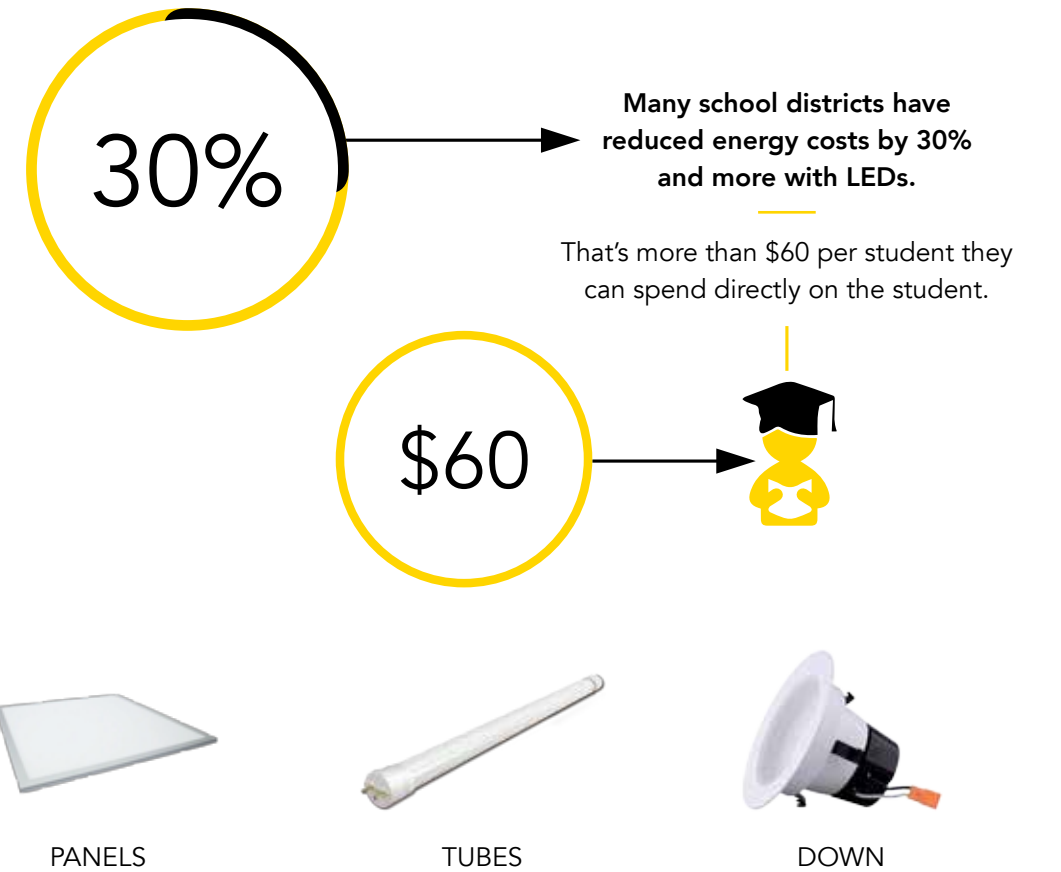
APPLICATION



Better lighting can improve student performance, save money, and improve health.

Light impacts different levels of human functioning from vision, to circadian rhythms, to mood and cognition. Poor quality of light can impair students' visual skills and, therefore, academic performance.

In a study of multiple school districts that have over 21,000 students, students in classrooms with better daylighting progress on average 20% faster and scored up to 7-18% higher overall. If you can't improve daylighting, you need to do the next best thing: mimic it. And that's where LUX can help.



1. **CRONUSi**
T8 TUBE OMNI

1. **TWIST8**
BALLAST COMPATIBLE T8 TUBE OMNI



TUBES

Previously exclusive to fluorescent lighting, T8 tubes are now made with LED technology which means better light quality at a fraction of the cost. Our LED T8 tubes come in a variety of color temperatures and have a lifetime of 32 years, so maintenance costs are almost non-existent. They are traditionally designed which means easily replaceable.



Education



Government



Corporate



Healthcare



OMNI T8 LED TUBE

CRONUSi

LIGHTING FACTS (PER PANEL)	
Brightness	900lm / 1800lm / 2200lm
Life	50,000 hours
Energy Used	9W / 18W
Light Appearance	
Light Color	3000-5000K
Correlated Color Temperature (CCT)	
1900K	3000K
4500K	6500K
Warm White	Bright White
	Daylight

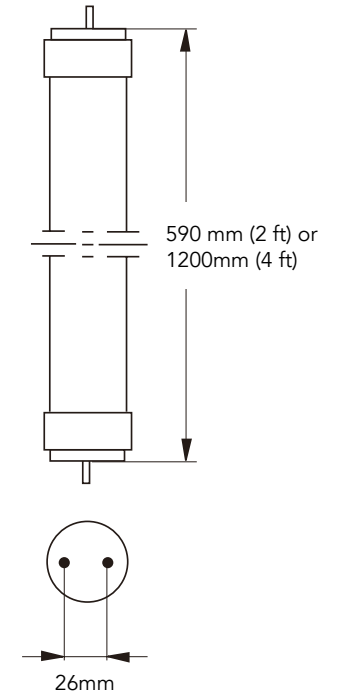


BENEFITS

- Traditional design
- 360° full illumination
- Instant on, no flicker
- Internal power supply
- DLC qualified for 50,000 hours
- Frosted glass lens to help with heat dissipation

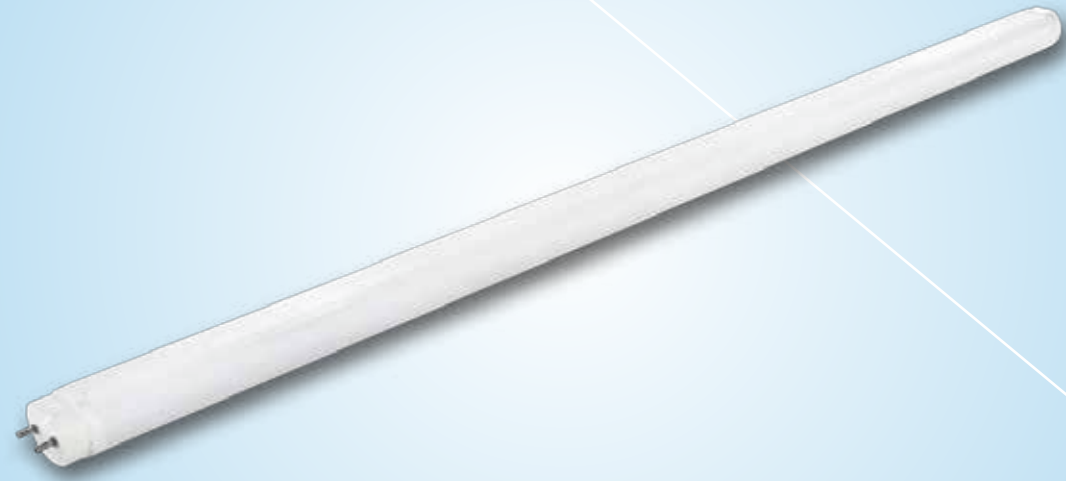
FEATURES

Fixture	2ft	4ft	4ft-HO
LED Power	9W	18W	18W
Delivered Lumens	900lm	1800lm	2200lm
Cover	Frosted Glass		
Base	G13		
L70 lm Maintenance Lifetime	50,000 hours		
View Angle	320°		
Beam Angle	160°		
Operating Temperature	-20°C to +40°C		
Voltage	100-277V AC		
Power Factor	0.9		



SPECIFICATIONS

PRODUCT	MODEL	WATTAGE	VIEW ANGLE	BEAM ANGLE	LUMENS	CRI	CCT	BASE	LIFETIME	DLC
T8 2-FOOT	LOMT8X2N09-30K	9W	320°	160°	900lm	80	3000K	G13	50000h	Yes
	LOMT8X2N09-35K	9W	320°	160°	900lm	80	3500K	G13	50000h	Yes
	LOMT8X2N09-40K	9W	320°	160°	900lm	80	4000K	G13	50000h	Yes
	LOMT8X2N09-50K	9W	320°	160°	900lm	80	5000K	G13	50000h	Yes
T8 4-FOOT	LOMT8X4N18-30K	18W	320°	160°	1800lm	80	3000K	G13	50000h	Yes
	LOMT8X4N18-35K	18W	320°	160°	1800lm	80	3500K	G13	50000h	Yes
	LOMT8X4N18-40K	18W	320°	160°	1800lm	80	4000K	G13	50000h	Yes
	LOMT8X4N18-50K	18W	320°	160°	1800lm	80	5000K	G13	50000h	Yes
T8 4-FOOT HO	LOMT8XH4N18-30K	18W	320°	160°	2200lm	80	3000K	G13	50000h	Yes
	LOMT8XH4N18-35K	18W	320°	160°	2200lm	80	3500K	G13	50000h	Yes
	LOMT8XH4N18-40K	18W	320°	160°	2200lm	80	4000K	G13	50000h	Yes
	LOMT8XH4N18-50K	18W	320°	160°	2200lm	80	5000K	G13	50000h	Yes



BALLAST COMPATIBLE T8 LED TUBE

TWIST8

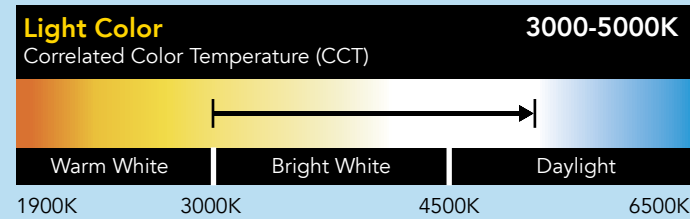
LIGHTING FACTS (PER PANEL)

Brightness 1150lm / 1960lm / 2280lm

Life 30,000 hours

Energy Used 9W / 14W / 17W

Light Appearance

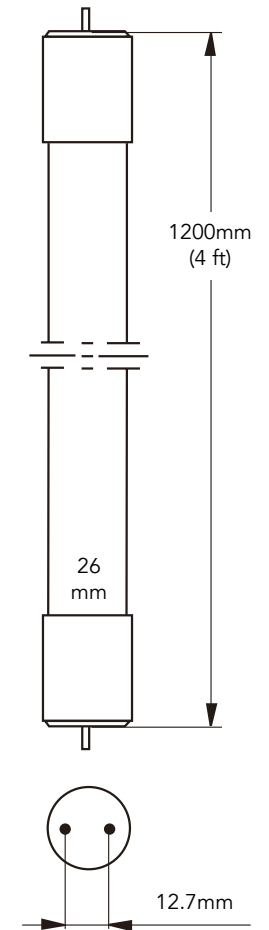


BENEFITS

- LED T8 tube compatible with majority of T8 instant start and program start ballasts
- Easy installation with PLUG and PLACE design
- PSU (power supply unit) with overheat protection and glue irrigation for better and more uniform heat dissipation
- Tube and PSU are connected by riveting line, no risk of arcing and cap melting
- High lumen output and high energy efficiency design
- Instant start, no flickering
- UL and DLC certified

FEATURES

Fixture	2ft	4ft	4ft
LED Power	9W	14W	17W
Delivered Lumens	1150lm	1960lm	2280lm
Color Rendering Index	80 CRI		
L70 lm Maintenance Lifetime	30,000 hours		
Cover	Frosted Polycarbonate		
Base	G13		
Beam Angle	160°		
Operating Temperature	-20°C to +40°C		
Voltage	100-277V AC		
Power Factor	0.9		



SPECIFICATIONS

PRODUCT	MODEL	WATTAGE*	BEAM ANGLE	LUMENS*	CRI	CCT	BASE	LIFETIME	DLC
4' T8 Instant Fit	LBC4T8VSN14-30K	14W	160°	1960lm	80	3000K	G13	30000h	Yes
	LBC4T8VSN14-35K	14W	160°	1960lm	80	3500K	G13	30000h	Yes
	LBC4T8VSN14-40K	14W	160°	1960lm	80	4000K	G13	30000h	Yes
	LBC4T8VSN14-50K	14W	160°	1960lm	80	5000K	G13	30000h	Yes
	LBC4T8VSN17-30K	17W	160°	2280lm	80	3000K	G13	30000h	Yes
	LBC4T8VSN17-35K	17W	160°	2280lm	80	3500K	G13	30000h	Yes
	LBC4T8VSN17-40K	17W	160°	2280lm	80	4000K	G13	30000h	Yes
	LBC4T8VSN17-50K	17W	160°	2280lm	80	5000K	G13	30000h	Yes
2' T8 Instant Fit	LBC2T8VSN09-30K	9W	160°	1150lm	80	3000K	G13	30000h	Pending
	LBC2T8VSN09-35K	9W	160°	1150lm	80	3500K	G13	30000h	Pending
	LBC4T8VSN09-40K	9W	160°	1150lm	80	4000K	G13	30000h	Pending
	LBC4T8VSN09-50K	9W	160°	1150lm	80	5000K	G13	30000h	Pending

- 1. **AREA LIGHT**
ULTRA HIGH POWERED LED
- 2. **SHOEBOX**
ULTRA HIGH POWERED AREA LED
- 3. **LACROSSi**
ULTRA HIGH POWERED STREET LED
- 4. **HIGH BAY**
ULTRA HIGH POWERED LED
- 5. **ECO HIGH BAY**
HIGH POWERED LED
- 6. **RHEA**
ULTRA HIGH POWERED TUNNEL LED
- 7. **PHOEBE**
ULTRA HIGH POWERED FLOOD LED




HIGH POWERED

The more energy needed, the more energy that can be saved.
Adequately lighting communities, parking lots, airports, streets, sports arenas, and other large areas, can quickly rack up the energy bill, not to mention the maintenance costs. Switching to high-powered LEDs, however, can not only save thousands of dollars per month (Portland is saving over \$100K a month!), with their long lifetime and 10 year limited warranty, maintenance fees are almost non-existent.



 Airport



 Auto Dealership



 Roadway



ULTRA HIGH POWERED AREA LED LIGHT

AREA LIGHT

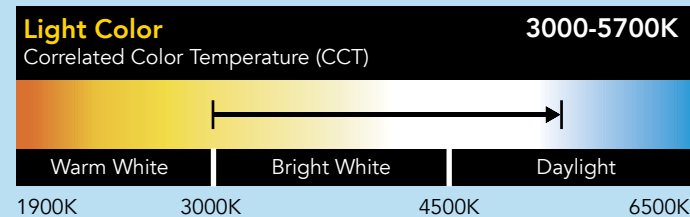
LIGHTING FACTS (PER PANEL)

Brightness 7200lm / 9000lm / 108000lm

Life 10 year limited warranty

Energy Used 720W / 1000W / 1200W

Light Appearance

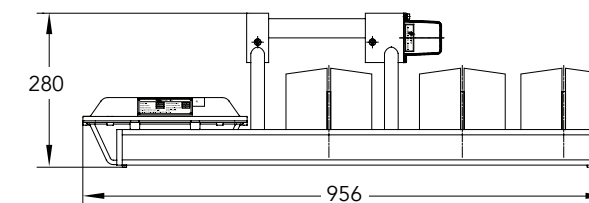
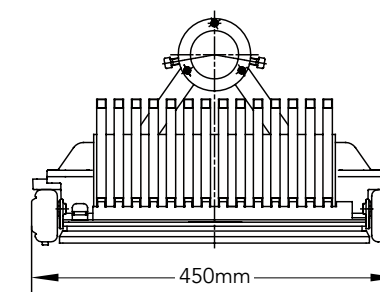


BENEFITS

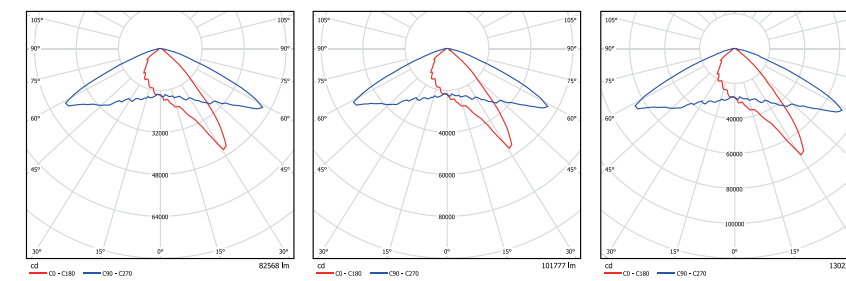
- Ultra High Power up to 1200W and 110000 lumens
- Individual module design for expandable system
- Heavy duty and excellent shock and vibration resistance
- Wing profile of heat radiator and dynamic airflow design for the best heat dissipation
- Superior reliability with 10 year limited warranty
- Ideal for roadways, shipyard, outdoor sport courts, high mast lighting with multiple-luminaries, etc.

FEATURES

Fixture Power	720W	1000W	1200W
Delivered Lumens	72000lm	90000lm	108000lm
Net Weight	27.3kg	28.8kg	31.8kg
Color Rendering Index	70 CRI		
L70 lm Maintenance Lifetime	100,000 hours		
Dimensions	956x450x280mm		
Operating Temperature	-40°C to +45°C		
Voltage	100-277V AC		
Power Factor	0.95		
IP Rating	IP65		



LIGHTING DISTRIBUTION



SPECIFICATIONS

MODEL	WATTAGE	CCT	LUMENS	CRI	IP RATING	INPUT VOLTAGE	DIMENSION	NET WEIGHT	DLC
LSTRT-GJ720U	720W	3000-5700K	7200lm	70	IP65	100-277V	956x450x280mm	27.3Kg	Yes
LSTRT-GJ1000U	1000W	3000-5700K	9000lm	70	IP65	100-277V	956x450x280mm	28.8Kg	Yes
LSTRT-GJ1200U	1200W	3000-5700K	108000lm	70	IP65	100-277V	956x450x280mm	31.8Kg	Yes



ULTRA HIGH POWERED AREA LED LIGHT

SHOEBOX

LIGHTING FACTS (PER PANEL)

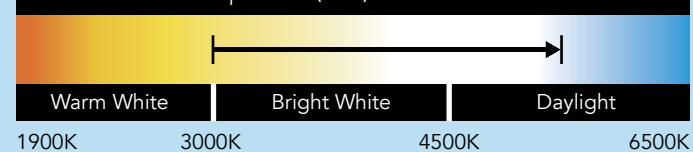
Brightness 12000-55000lm

Life 10 year limited warranty

Energy Used 120-600W

Light Appearance

Light Color 3000-5700K
Correlated Color Temperature (CCT)

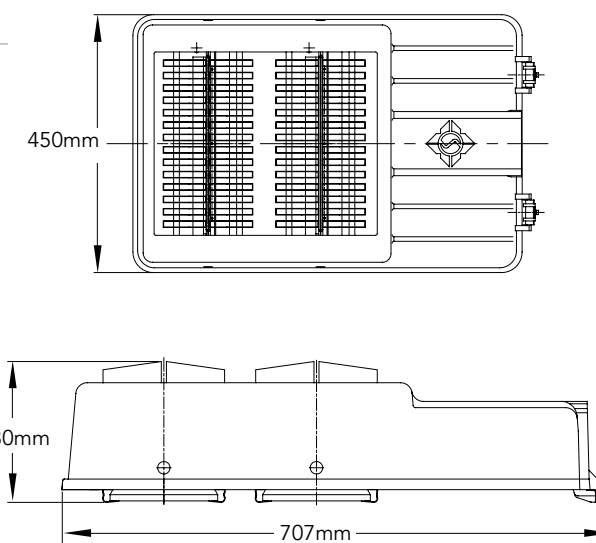


BENEFITS

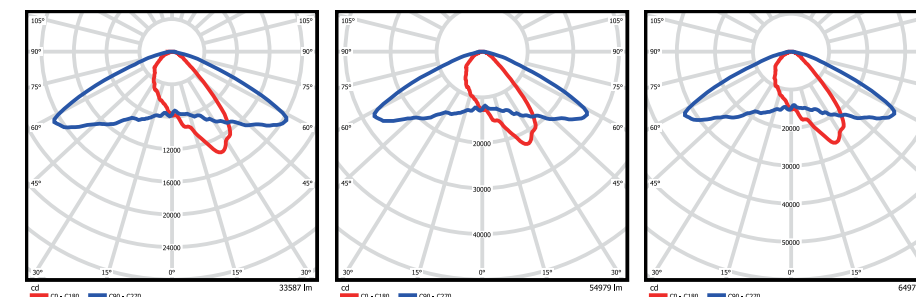
- Ultra High Power up to 600W and 55,000 lumen output
- Wing profile of heat radiator and dynamic airflow design for the best heat dissipation
- Superior reliability with 10 year limited warranty
- Excellent durability for severe outdoor environment
- Ideal for outdoor parking lot, sport courts, shopping centers and malls, government and industrial building, etc.

FEATURES

Fixture Power	120-600W
Delivered Lumens	12000-55000lm
Net Weight	15.4-20.5kg
Color Rendering Index	70 CRI
L70 lm Maintenance Lifetime	50,000 hours
Dimensions	707x450x180mm
Operating Temperature	-40°C to +45°C
Voltage	100-277V AC
Power Factor	0.95
IP Rating	IP65



LIGHTING DISTRIBUTION



SPECIFICATIONS

MODEL	WATTAGE	CCT	LUMENS	CRI	IP RATING	INPUT VOLTAGE	DIMENSION	NET WEIGHT	DLC
LAREA-GX120U	120W	3000-5700K	12000lm	70	IP65	100-277V	707x450x176mm	15.4kg	Yes
LAREA-GX200U	200W	3000-5700K	20000lm	70	IP65	100-277V	707x450x176mm	15.8kg	Yes
LAREA-GX320U	320W	3000-5700K	32000lm	70	IP65	100-277V	707x450x180mm	18.8kg	Yes
LAREA-GX480U	480W	3000-5700K	48000lm	70	IP65	100-277V	707x450x180mm	19.7kg	Yes
LAREA-GX600U	600W	3000-5700K	55000lm	70	IP65	100-277V	707x450x180mm	20.5kg	No



HIGH PERFORMANCE LED STREET LIGHT

LaCROSSi

LIGHTING FACTS (PER PANEL)

Brightness	2750-27500lm		
Life	10 year limited warranty		
Energy Used	25-300W		
Light Appearance			
Light Color	4000-6000K		
Correlated Color Temperature (CCT)			
Warm White	Bright White	Daylight	
1900K	3000K	4500K	6500K

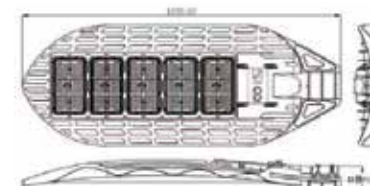
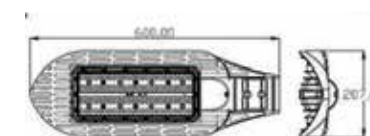
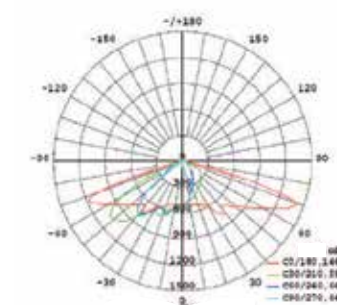


BENEFITS

- High efficacy of up to 110lm/W
- Energy saved up to 50%-70%
- Uniform illumination, wide flood lighting angle
- Instant start, no flickering, no humming
- No RF interference
- Optimized heat dissipation
- Limited 10 year warranty
- Different lighting distribution available
- Step dimming available
- Photocell option available

FEATURES

Fixture Power	25-250W
Delivered Lumens	2750-27500lm
Net Weight	1.4-12.5kg
Color Rendering Index	70 CRI
L70 lm Maintenance Lifetime	50,000 hours
Operating Temperature	-40°C to +45°C
Voltage	90-305V AC
Power Factor	0.95
IP Rating	IP66



Photocell Option



CERTIFICATIONS:



APPLICATIONS:

SPECIFICATIONS

MODEL	WATTAGE	CCT	LUMENS	POWER FACTOR	CRI	IP RATING	INPUT VOLTAGE	DIMENSIONS	WEIGHT	LIFETIME	DLC
LSTRT-UA025	25W	4000-6000K	2750	0.95	70	IP66	100-277V	462x151x72mm	1.4kg	50000hrs	Yes
LSTRT-UA030	30W	4000-6000K	3300	0.95	70	IP66	100-277V	462x151x72mm	1.4kg	50000hrs	Yes
LSTRT-UA040	40W	4000-6000K	4400	0.95	70	IP66	100-277V	600x207x94mm	4.0kg	50000hrs	Yes
LSTRT-UA050	50W	4000-6000K	5500	0.95	70	IP66	100-277V	600x207x94mm	5.5kg	50000hrs	Yes
LSTRT-UA060	60W	4000-6000K	6500	0.95	70	IP66	100-277V	600x207x94mm	5.5kg	50000hrs	Yes
LSTRT-UA080	80W	4000-6000K	8800	0.95	70	IP66	100-277V	763x283x94mm	7.5kg	50000hrs	Yes
LSTRT-UA100	100W	4000-6000K	11000	0.95	70	IP66	100-277V	765x283x94mm	7.8kg	50000hrs	Yes
LSTRT-UA150	150W	4000-6000K	16500	0.95	70	IP66	100-277V	1200x453x94mm	11.5kg	50000hrs	Yes
LSTRT-UA180	180W	4000-6000K	19800	0.95	70	IP66	100-277V	1200x453x94mm	11.5kg	50000hrs	Yes
LSTRT-UA200	200W	4000-6000K	22000	0.95	70	IP66	100-277V	1200x453x94mm	12.0kg	50000hrs	Yes
LSTRT-UA250	250W	4000-6000K	27500	0.95	70	IP66	100-277V	1200x453x94mm	12.5kg	50000hrs	Yes



ULTRA HIGH POWER LED

HIGH BAY

LIGHTING FACTS (PER PANEL)

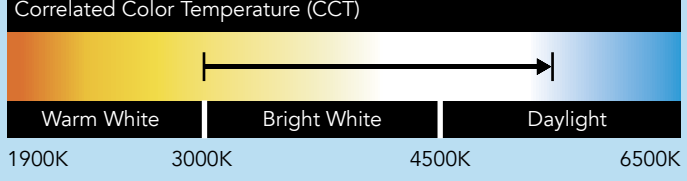
Brightness 4500-36000lm

Life 10 year limited warranty

Energy Used 50-400W

Light Appearance

Light Color 3000-5700K
Correlated Color Temperature (CCT)



BENEFITS

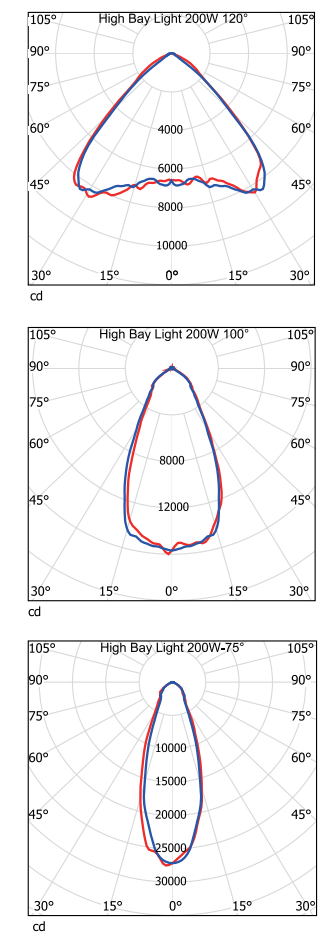
- Superior thermal management
- Low junction temperature to endure long lasting lumen maintenance
- Industrial look and convenient installation
- 10 year limited warranty
- IP65

FEATURES

Fixture Power	50-400W
Delivered Lumens	4500-36000lm
Net Weight	4.2-15.5kg
Color Rendering Index	70 CRI
L70 lm Maintenance Lifetime	100,000 hours
Operating Temperature	-40°C to +45°C
Voltage	100-277V AC
Power Factor	>0.9
IP Rating	IP65

SPECIFICATIONS

MODEL	WATTAGE	LUMENS	POWER FACTOR	CRI	CCT	IP RATING	INPUT VOLTAGE	DIMENSION	NET WEIGHT	DLC
LHBAY-GA050	50W	4500lm	>0.9	70	3000-5700K	IP65	100-277V	302x176x240mm	4.2kg	Yes
LHBAY-GA075	75W	6750lm	>0.9	70	3000-5700K	IP65	100-277V	302x176x240mm	4.5kg	Yes
LHBAY-GA100	100W	9000lm	>0.9	70	3000-5700K	IP65	100-277V	302x176x240mm	5.6kg	Yes
LHBAY-GA150	150W	13500lm	>0.9	70	3000-5700K	IP65	100-277V	302x176x240mm	7.0kg	Yes
LHBAY-GA200	200W	18000lm	>0.9	70	3000-5700K	IP65	100-277V	302x176x240mm	8.1kg	Yes
LHBAY-GA300	300W	27000lm	>0.9	70	3000-5700K	IP65	100-277V	302x176x240mm	15.3kg	Yes
LHBAY-GA400	400W	36000lm	>0.9	70	3000-5700K	IP65	100-277V	302x176x240mm	15.5kg	Yes





HIGH POWERED LED

ECO HIGH BAY

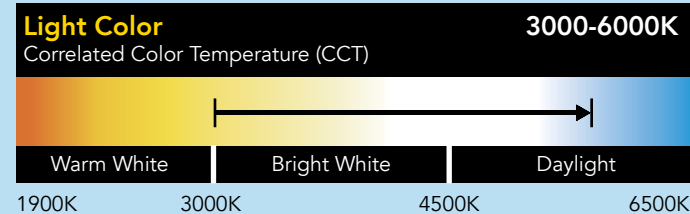
LIGHTING FACTS (PER BULB)

Brightness 12000-27000lm

Life 5 year limited warranty

Energy Used 100-230W

Light Appearance

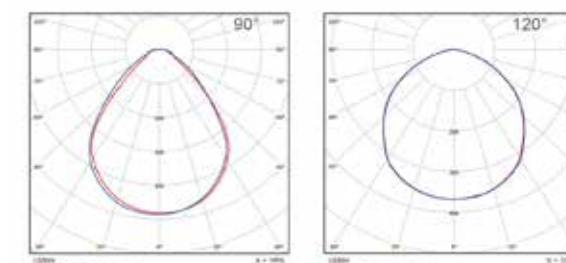


BENEFITS

- High performance with 120 lm/W efficacy
- Beam: 60°/ 90°/ 120°
- Input voltage: 100-305VAC
- Special heat sink for high reliability
- 5 years warranty (Including driver)
- Ideal for workshops, warehouses, factories and gas stations
- Option of Black and White color
- IP65

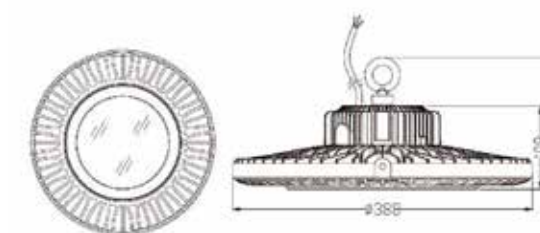


accessory



FEATURES

LED Power	100-230W
Delivered Lumens	12000-27000lm
Color Rendering Index	80 CRI
L70 lm Maintenance Lifetime	50,000 hours
Beam Angle	38°
Operating Temperature	-20°C to +40°C
Voltage	100-305V AC
Power Factor	>0.95



SPECIFICATIONS

MODEL	WATTAGE	LUMENS	POWER FACTOR	CRI	CCT	IP RATING	INPUT VOLTAGE	DIMENSION	NET WEIGHT	DLC
LHBAY-LQ100	100W	12000lm	>0.95	80	3000-6000K	IP65	100-305V	Ø388x172mm	7.5kg	Yes
LHBAY-LQ120	120W	14000lm	>0.95	80	3000-6000K	IP65	100-305V	Ø388x172mm	7.5kg	Yes
LHBAY-LQ160	160W	19000lm	>0.95	80	3000-6000K	IP65	100-305V	Ø388x172mm	7.5kg	Yes
LHBAY-LQ200	200W	24000lm	>0.95	80	3000-6000K	IP65	100-305V	Ø388x172mm	7.5kg	Yes
LHBAY-LQ230	230W	27000lm	>0.95	80	3000-6000K	IP65	100-305V	Ø388x172mm	7.5kg	Yes



CERTIFICATIONS:



APPLICATIONS:



ULTRA HIGH POWER TUNNEL LED

RHEA

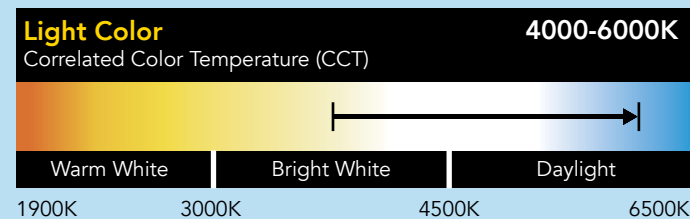
LIGHTING FACTS (PER PANEL)

Brightness 4500-18000lm

Life 10 year limited warranty

Energy Used 50-200W

Light Appearance

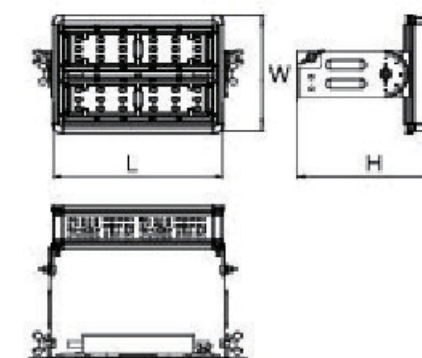
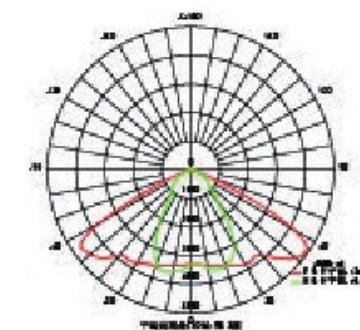


BENEFITS

- High output Cree LED chips
- Energy saving up to 70%
- Modular design for convenient repair and dismantlement
- Adjustable lighting angle
- Die-casting aluminum body, surface with static plastic coating, and anti-corrosive treatment
- 10 year limited warranty
- CE and ROHS Compliant

FEATURES

Fixture Power	50-200W
Delivered Lumens	4500-18000lm
Net Weight	3.1-6.6kg
Color Rendering Index	70 CRI
L70 lm Maintenance Lifetime	50,000 hours
Operating Temperature	-40°C to +45°C
Voltage	90-264V
Power Factor	0.95
IP Rating	IP67



CERTIFICATIONS:



APPLICATIONS:

SPECIFICATIONS

MODEL	WATTAGE	CCT	LUMENS	POWER FACTOR	CRI	IP RATING	INPUT VOLTAGE	LIFETIME	DIMENSION	NET WEIGHT
LTUNNEL-UA050	50W	4000-6000K	4500lm	0.95	70	IP67	90-264V	50000hrs	390x125(305)x275mm	3.1kg
LTUNNEL-UA060	60W	4000-6000K	5400lm	0.95	70	IP67	90-264V	50000hrs	390x125(305)x275mm	3.5kg
LTUNNEL-UA080	80W	4000-6000K	7200lm	0.95	70	IP67	90-264V	50000hrs	390x125(305)x275mm	4.2kg
LTUNNEL-UA100	100W	4000-6000K	9000lm	0.95	70	IP67	90-264V	50000hrs	390x125(305)x275mm	4.2kg
LTUNNEL-UA120	120W	4000-6000K	10800lm	0.95	70	IP67	90-264V	50000hrs	390x125(305)x275mm	5.5kg
LTUNNEL-UA150	150W	4000-6000K	13500lm	0.95	70	IP67	90-264V	50000hrs	390x125(305)x275mm	5.5kg
LTUNNEL-UA200	200W	4000-6000K	18000lm	0.95	70	IP67	90-264V	50000hrs	390x125(305)x275mm	6.6kg



ULTRA HIGH POWER FLOOD LED

PHOEBE

LIGHTING FACTS (PER PANEL)

Brightness **4880-48000lm**

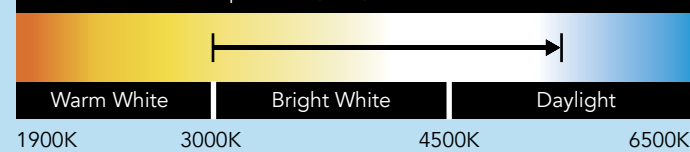
Life **10 year limited warranty**

Energy Used **54-480W**

Light Appearance

Light Color **3000-5700K**

Correlated Color Temperature (CCT)

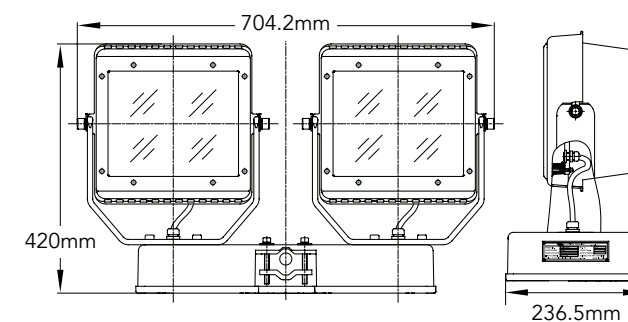


BENEFITS

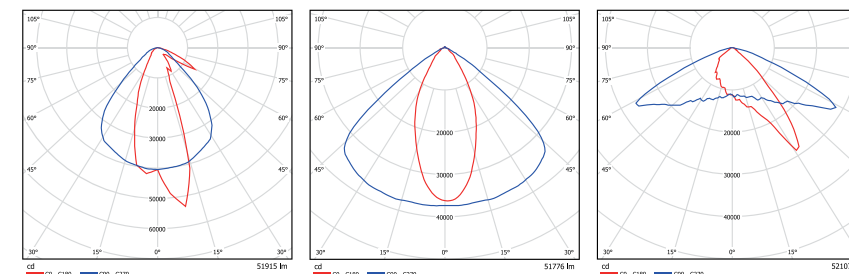
- Integrated heat spreader design for thermal management
- Ultra High Power flood up to 480W and 50,000lm output
- Superior reliability with 10 year limited warranty
- Extremely versatile for various lighting locations

FEATURES

Fixture Power	54-480W
Delivered Lumens	4880-48000lm
Net Weight	4.8-19.6kg
Color Rendering Index	>70 CRI
L70 lm Maintenance Lifetime	50,000 hours
Operating Temperature	-40°C to +45°C
Voltage	100-277V AC
Power Factor	0.95
IP Rating	IP65



LIGHTING DISTRIBUTION



SPECIFICATIONS

MODEL	WATTAGE	CCT	LUMENS	POWER FACTOR	CRI	IP RATING	INPUT VOLTAGE	DIMENSION	WEIGHT	DLC
LVRSA-GT055U	55W	3000-5700K	4880lm	0.95	>70	IP65	100-277V	326x339x126mm	4.8kg	Yes
LVRSA-GT100U	100W	3000-5700K	10000lm	0.95	>70	IP65	100-277V	326x339x126mm	6.2kg	Yes
LVRSA-GT240U	240W	3000-5700K	24000lm	0.95	>70	IP65	100-277V	346x420x236mm	10.8kg	Yes
LVRSA-GT480U	480W	3000-5700K	48000lm	0.95	>70	IP65	100-277V	704x420x236mm	19.6kg	Yes

ROADWAY

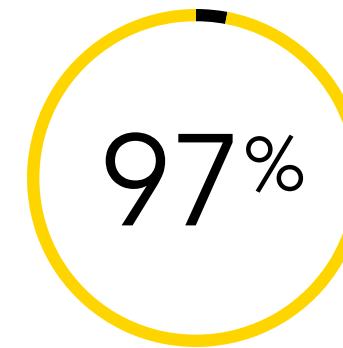
APPLICATION



The more energy needed, the more energy that can be saved.

Portland, OR recently converted more than 20,000 city street lights to modern LED lights and savings from the program have now topped \$100,000 per month.

Not only do LED street lights save money, but also have improved visibility, becoming safer for residents and drivers because of better color rendering and daylight color temperatures.



97% of residents in a city that recently switched from HPS street lights to LEDs said the streets were better lit

94% said the street and surrounding area felt safer with the new LED lights

LED vs. HPS



CONTACT

Our team at LUX, along with our knowledgeable sales representatives and distribution partners across the world, are here to serve you and help you make the most informed decision about our LED lighting solutions.

USA

LUX Headquarters

2431 West Coast Hwy, Suite 202,
Newport Beach, CA 92633
T: 949.396.1300 | F: 949.396.1303
info@luxtg.com | luxtg.com

Bob Petrivelli

Eastern Regional Sales Director
Cell: 770.355.0079
b.petrivelli@luxtg.com

Dave Assarian

Eastern Regional Sales Representative
Cell: 978.658.2228
d.assarian@luxtg.com

Barbara Razo

Sales Representative
Cell: 714.401.7341
b.razo@luxtg.com

Frank Dino

US & International Sales
Office: 949.396.1303 ext. 115
Cell: 310.428.0797
f.dino@luxtg.com

NORWAY/EUROPE

Svein Hana

Director of Nordic and Baltic Sales
Office: +47.900.59.110
s.hana@luxtg.com

PANAMA/LATIN AMERICA

Gilberto Boyd

Director of Latin America Sales
Office: 507.6949.6085
g.boyd@luxtg.com

LUX Technology Group, Inc.

2431 West Coast Hwy, Suite 202, Newport Beach, CA 92633

T: 949.396.1300 | F: 949.396.1303 | luxtg.com

